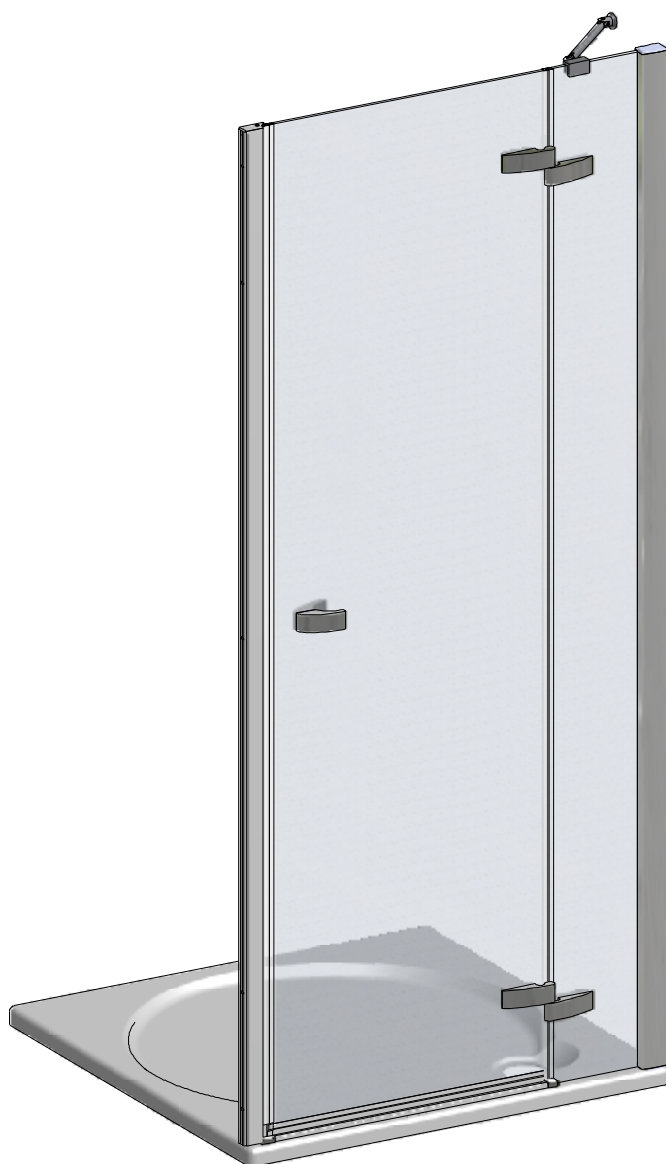
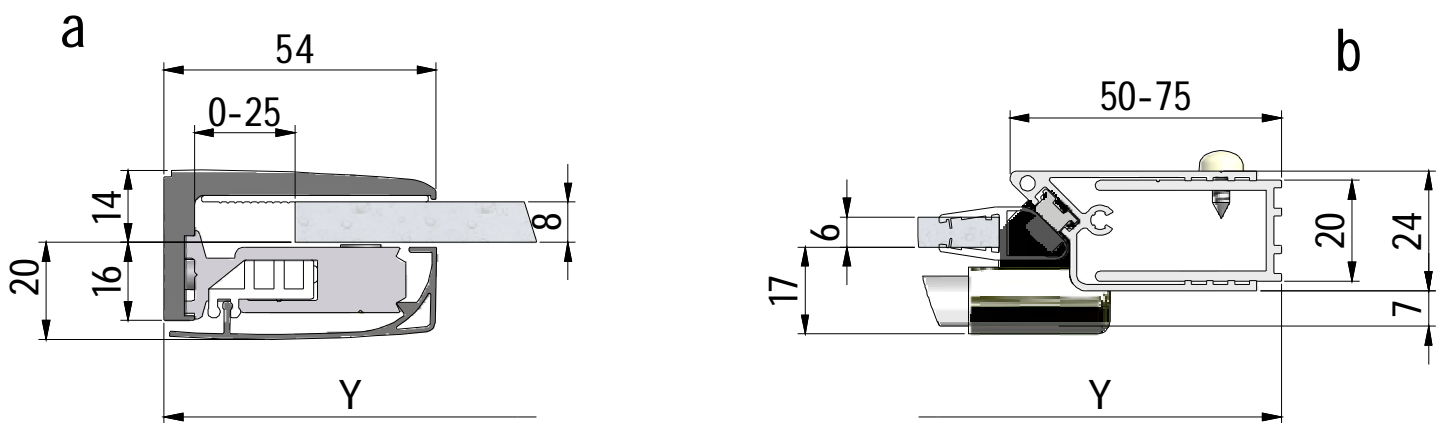
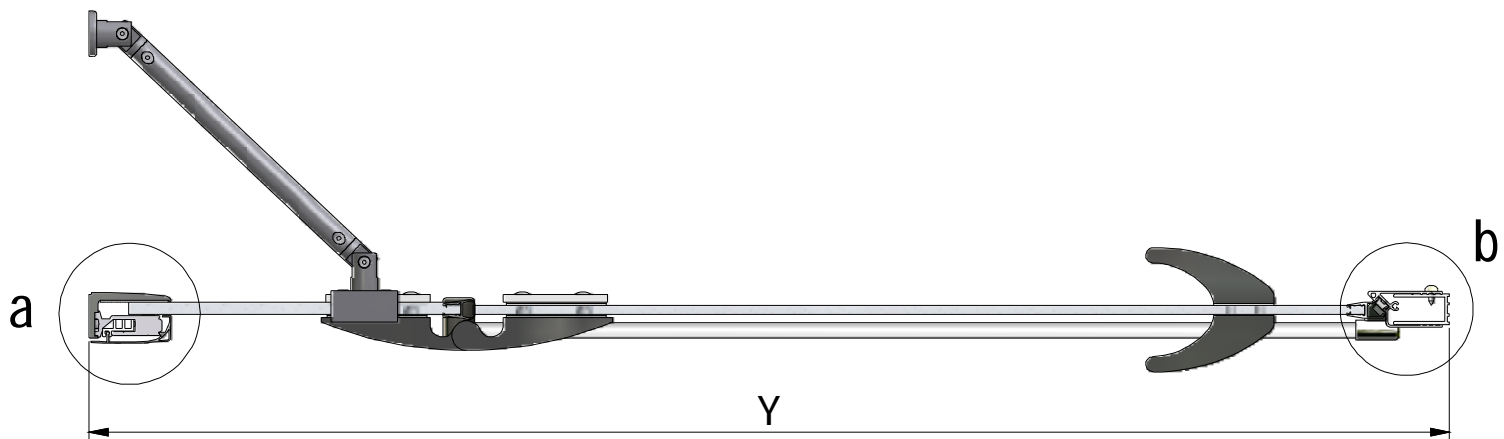


# GDNL1

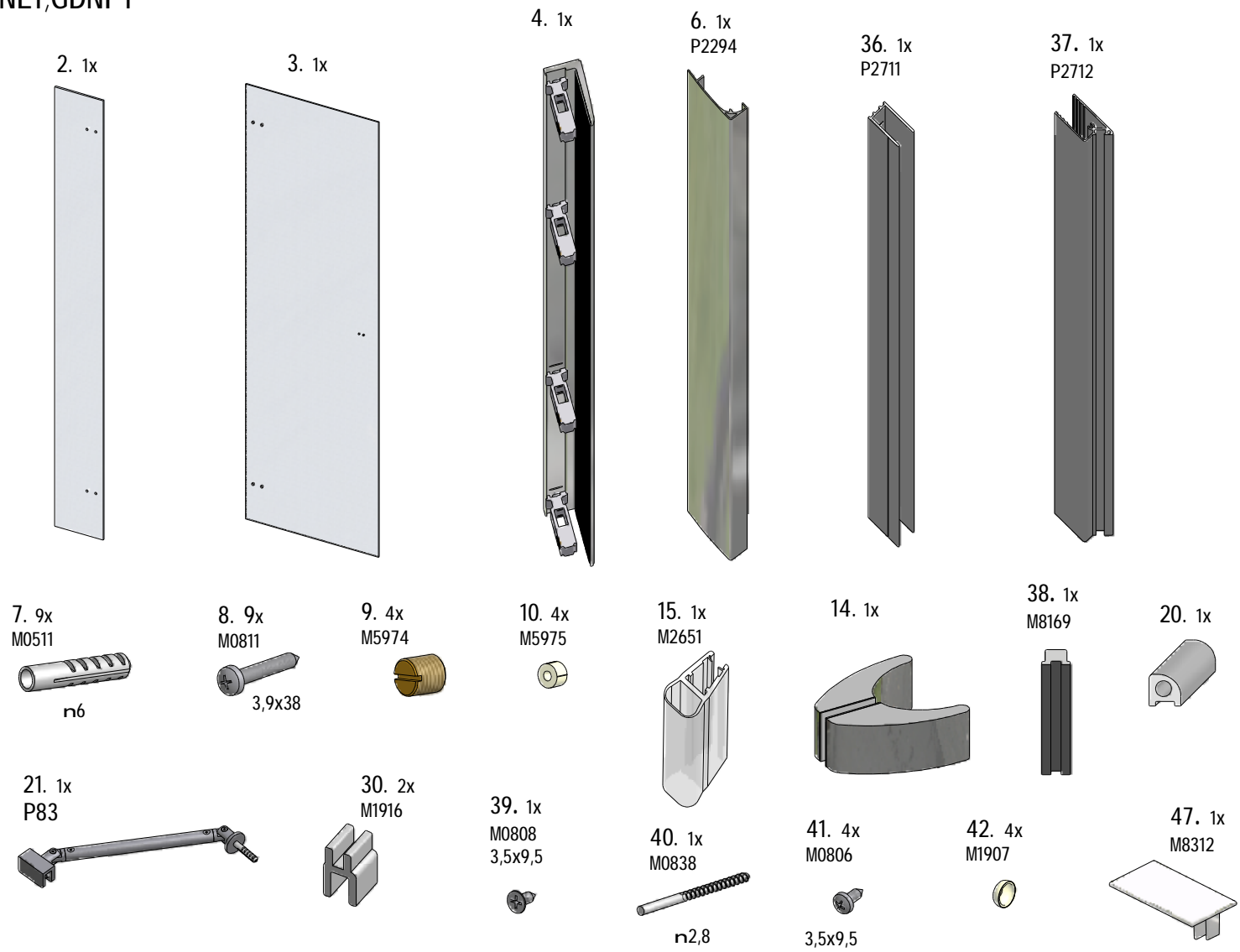
# GDNP1



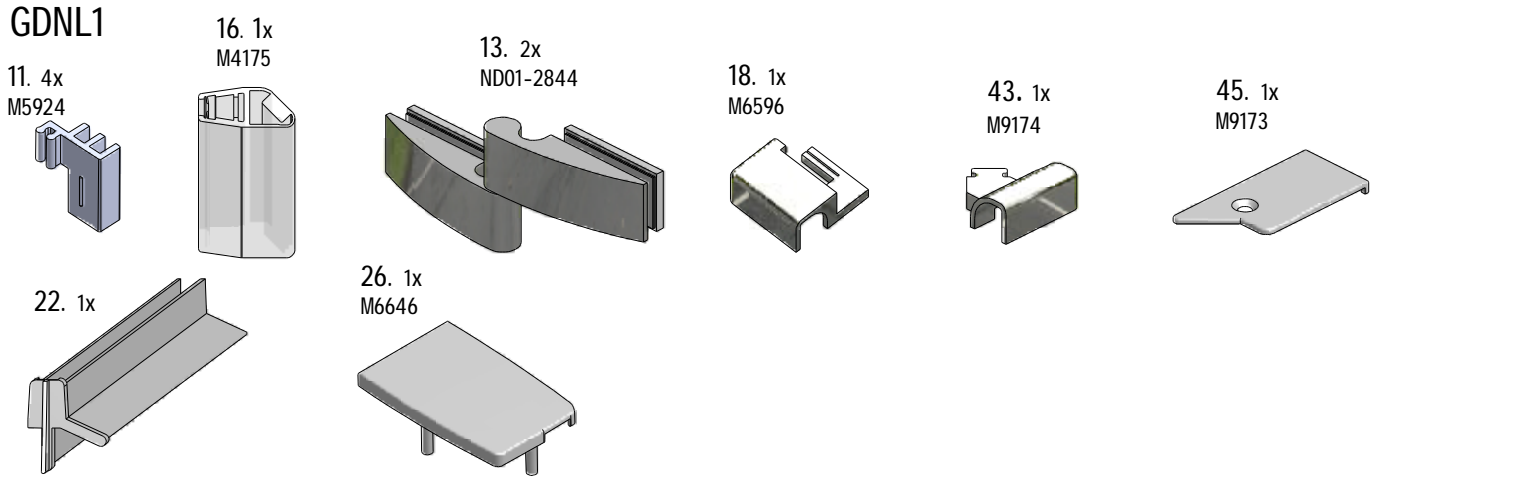


GDNL1 GDNP1	Y (mm)	
	MIN	MAX
800	780	820
900	880	920
1000	980	1020
1100	1080	1120
1200	1180	1220
1300	1280	1320
1400	1380	1420
1500	1480	1520

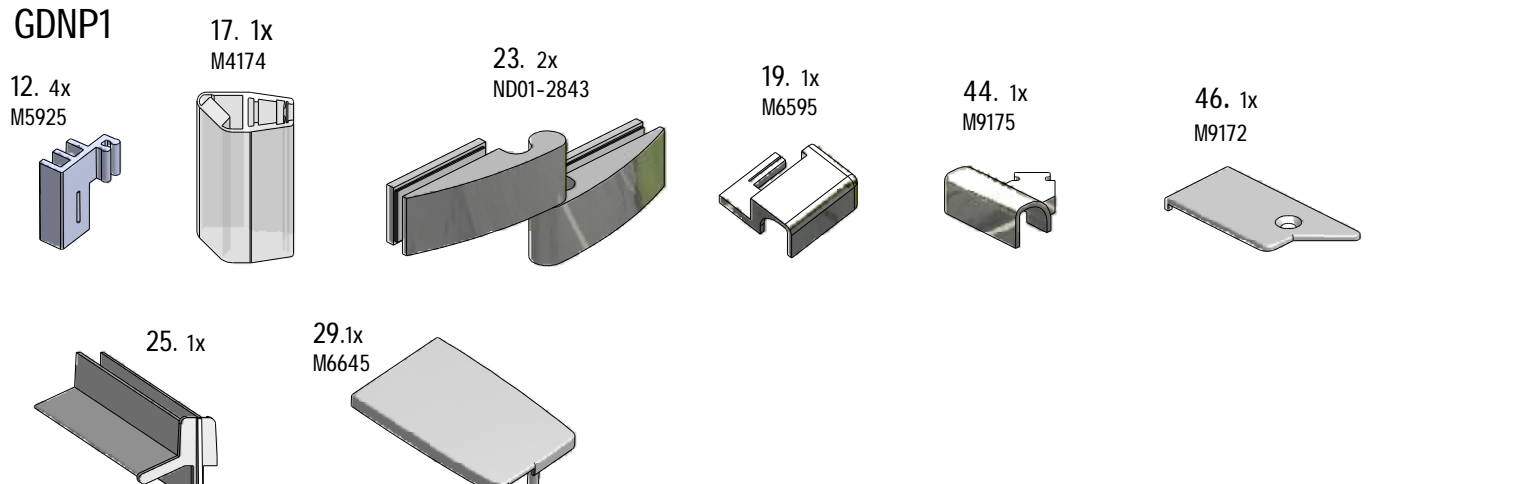
# GDNL1;GDNP1

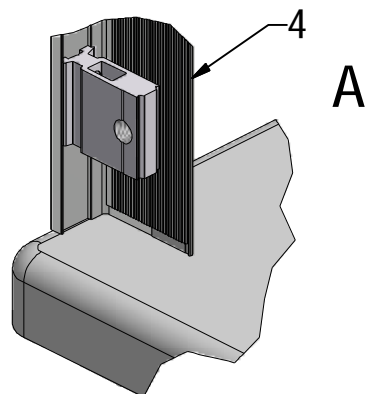
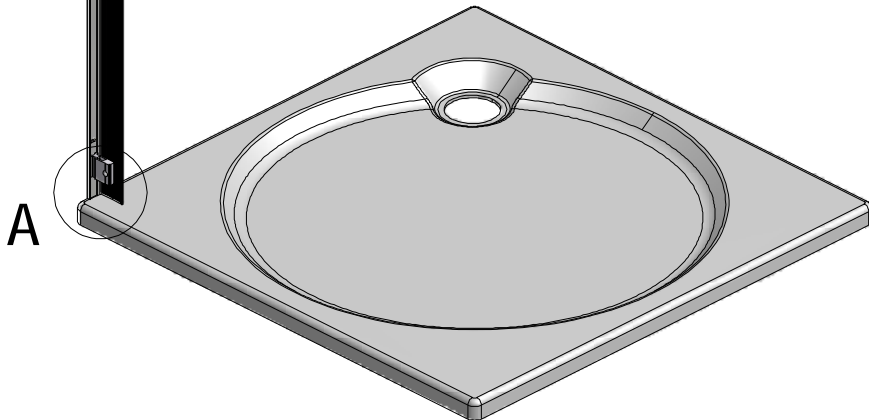
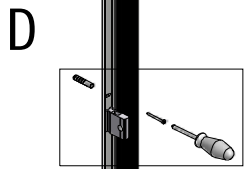
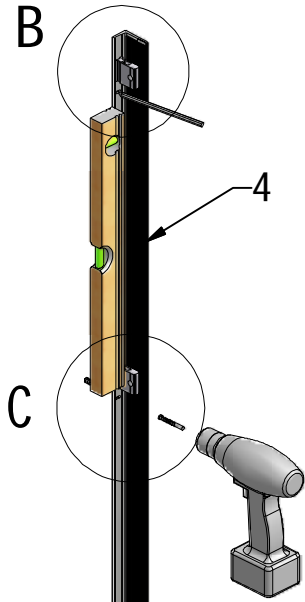
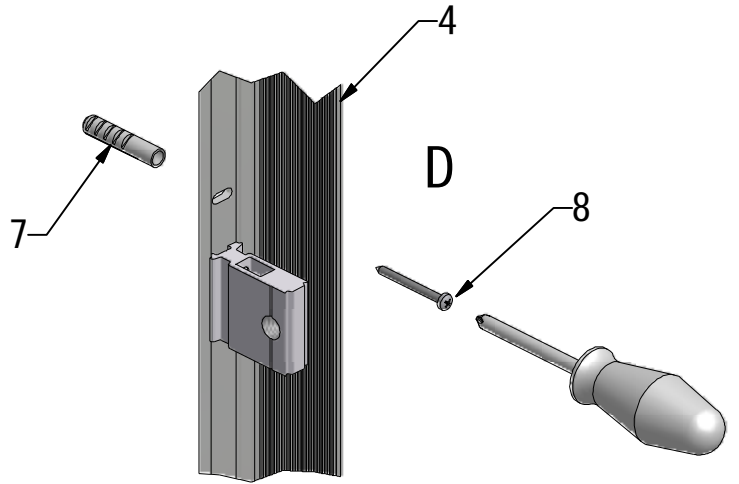
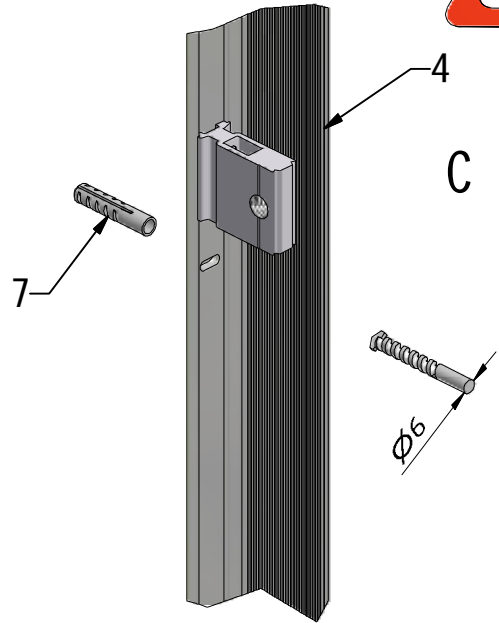
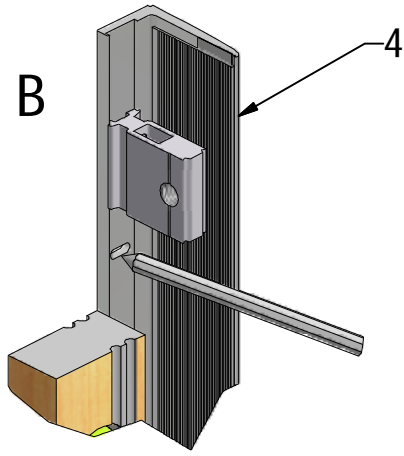
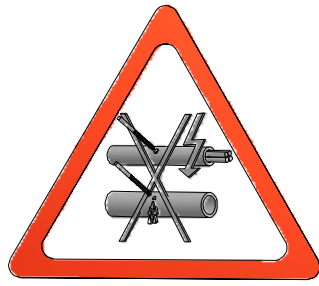


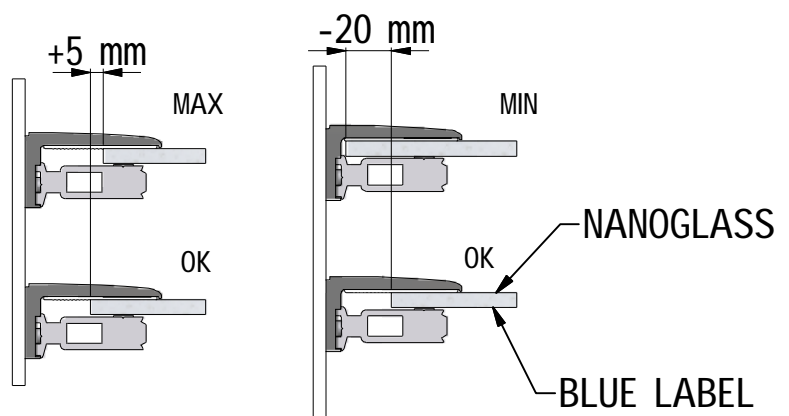
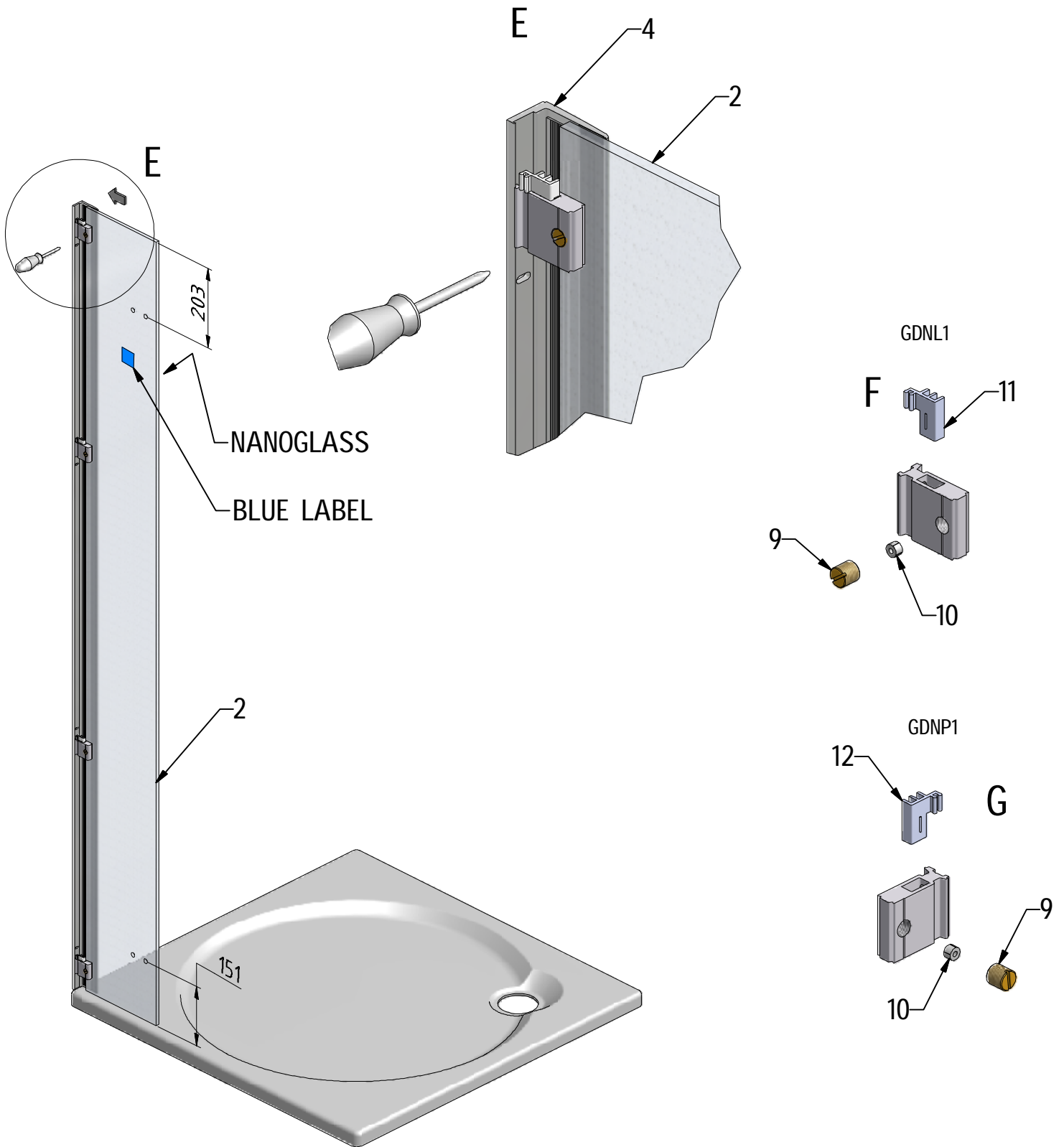
## GDNL1

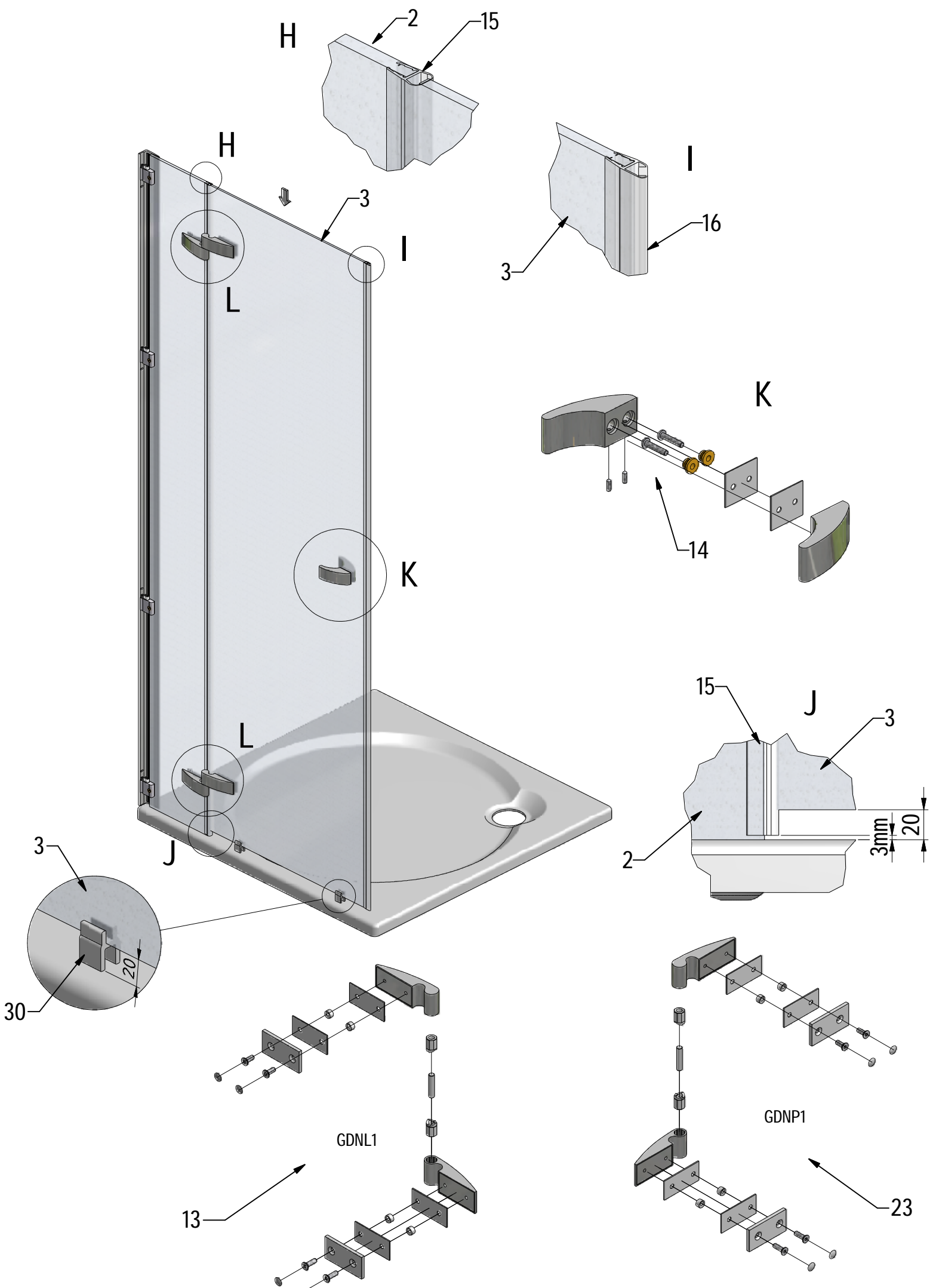


## GDNP1

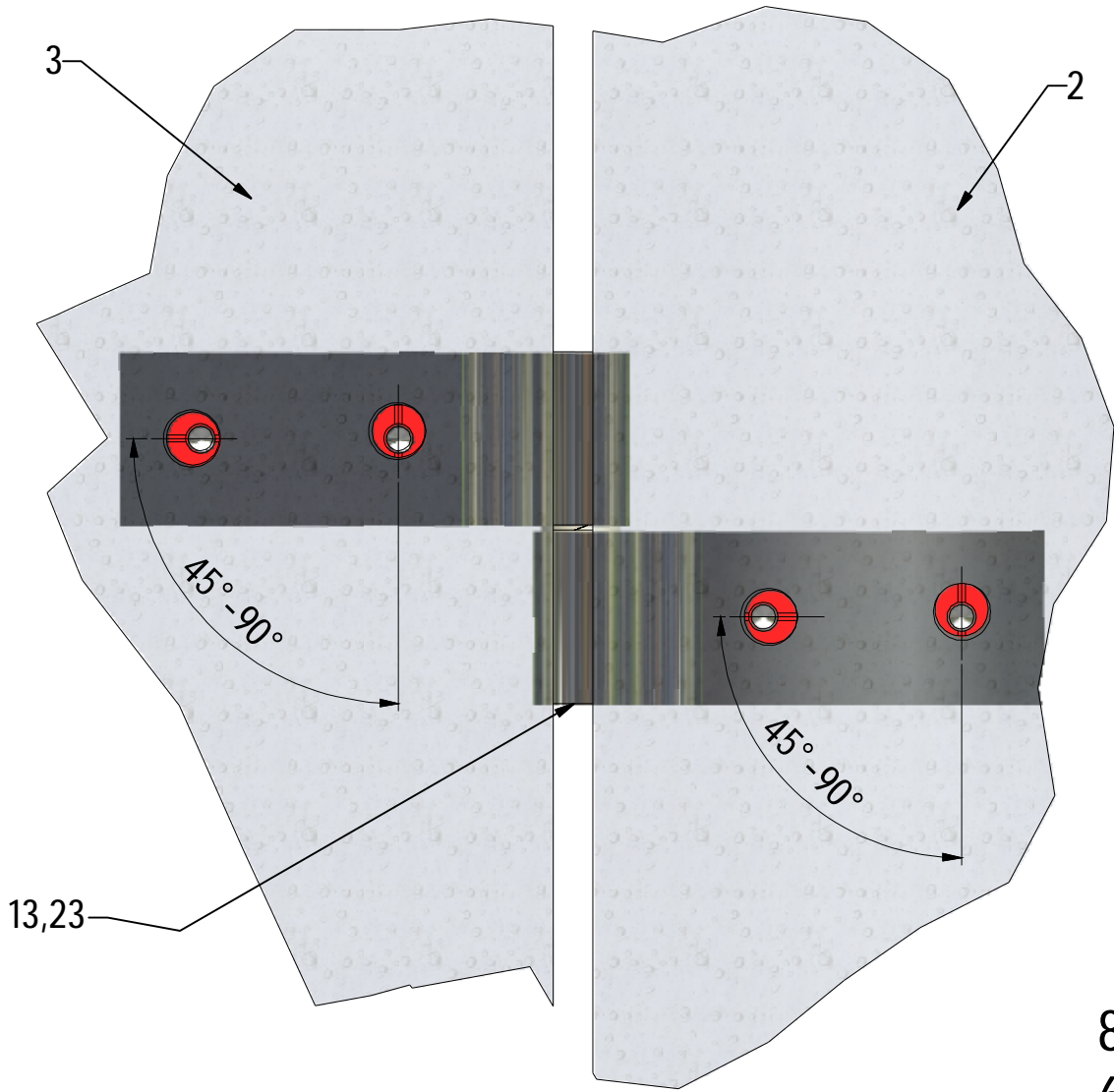




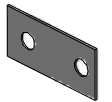




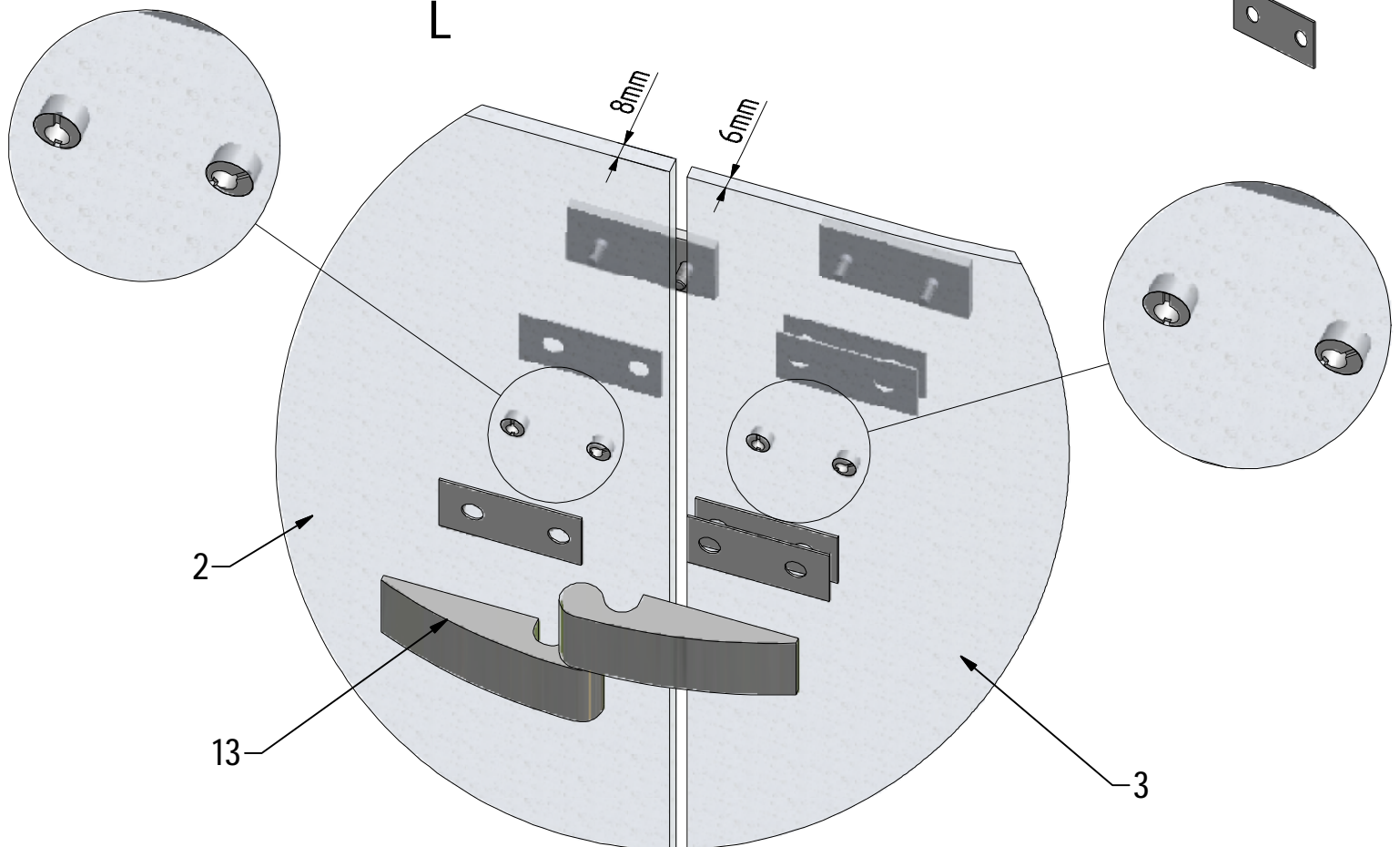
L

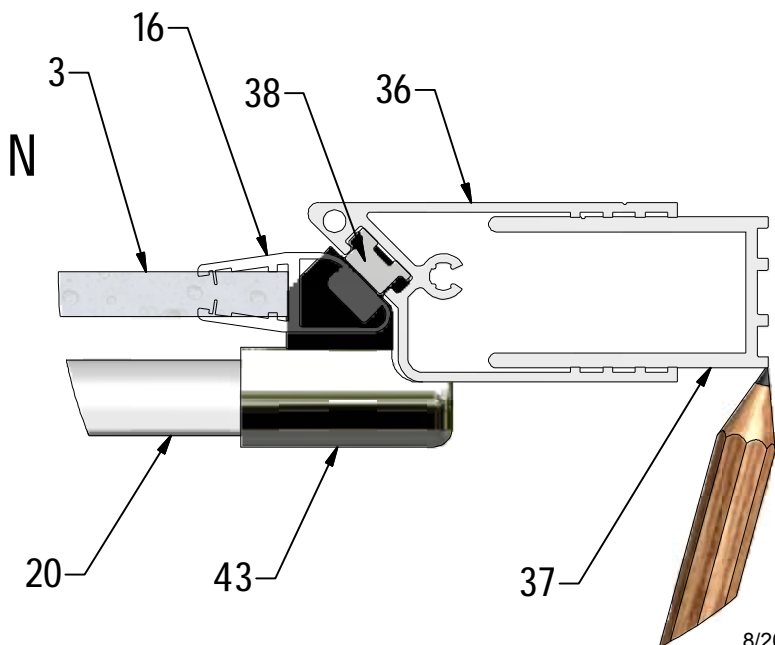
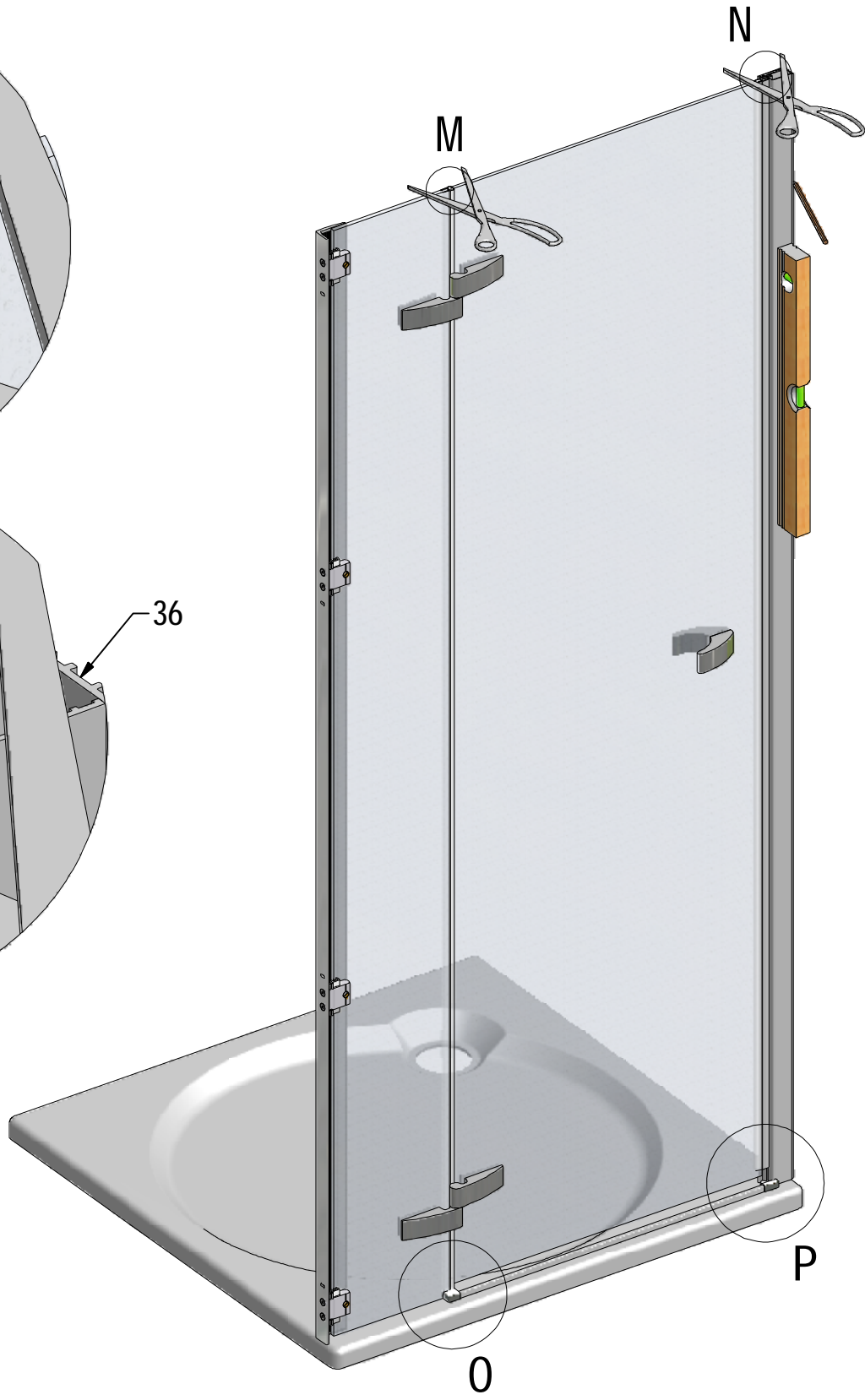
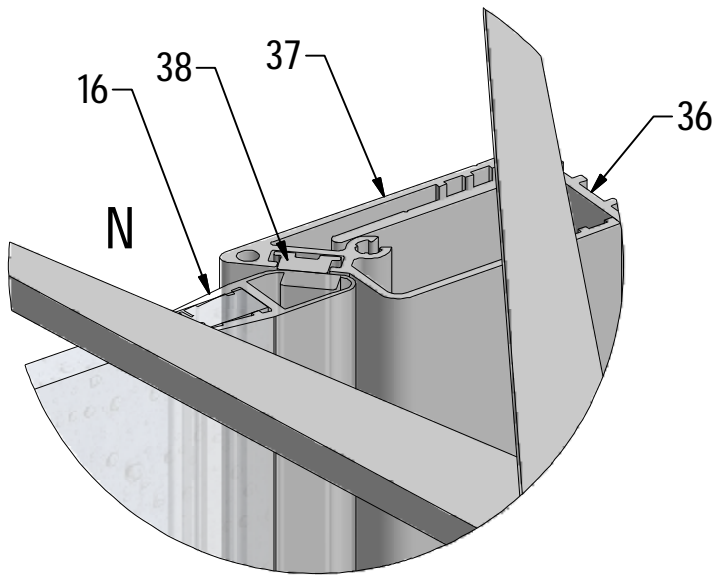
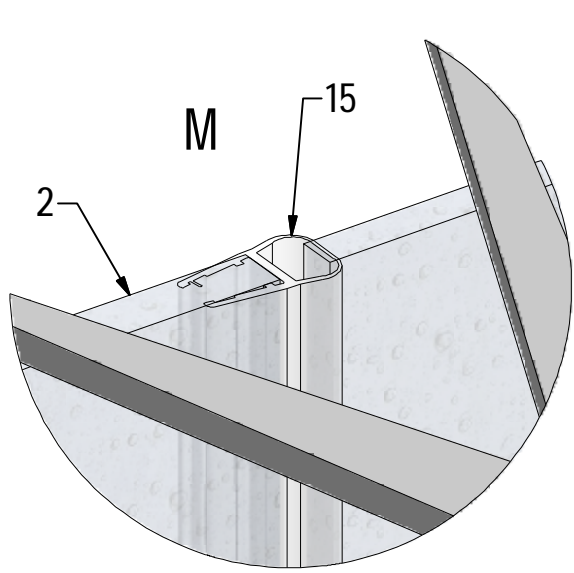


8mm 2x  
6mm 4x

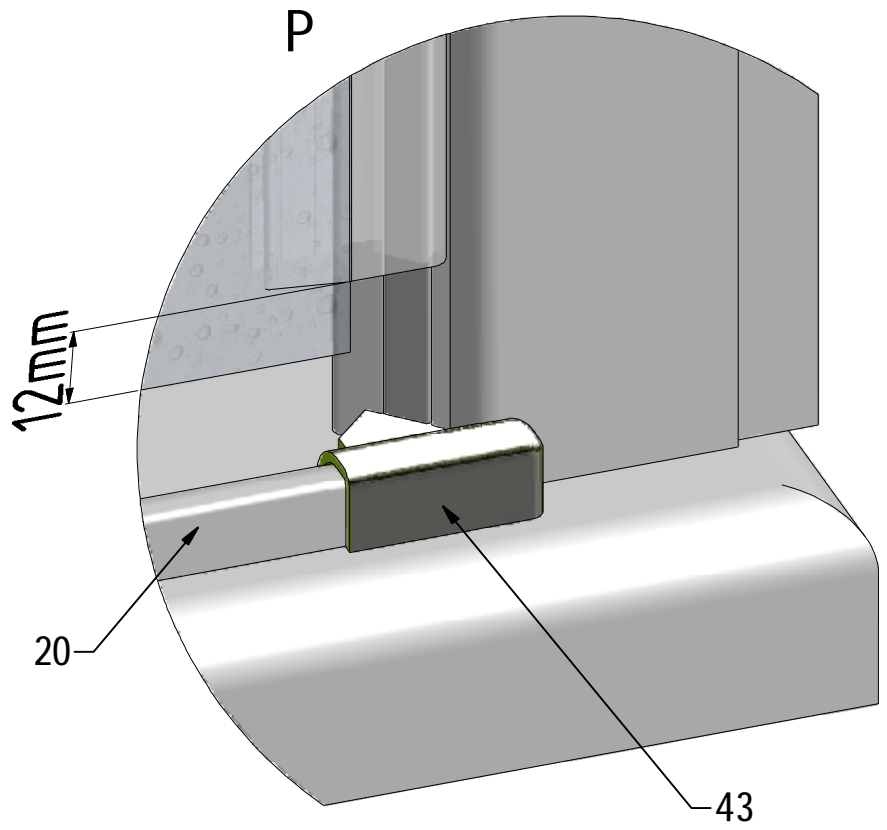
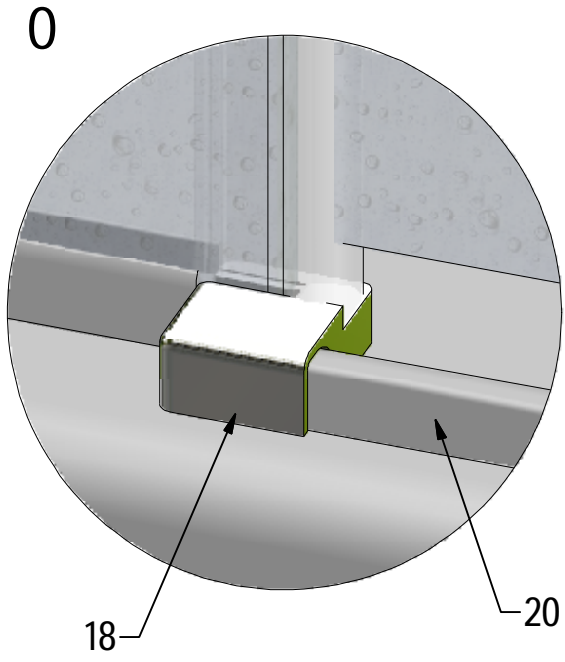


L

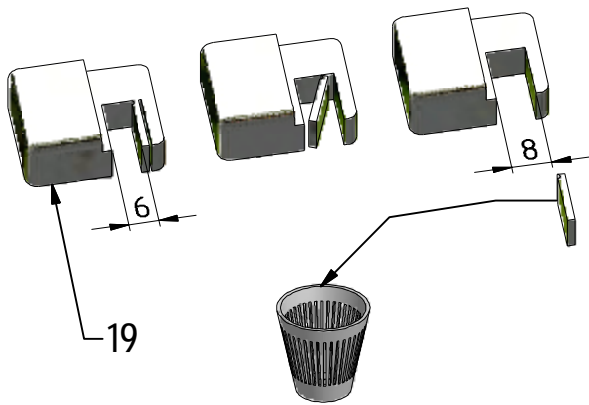




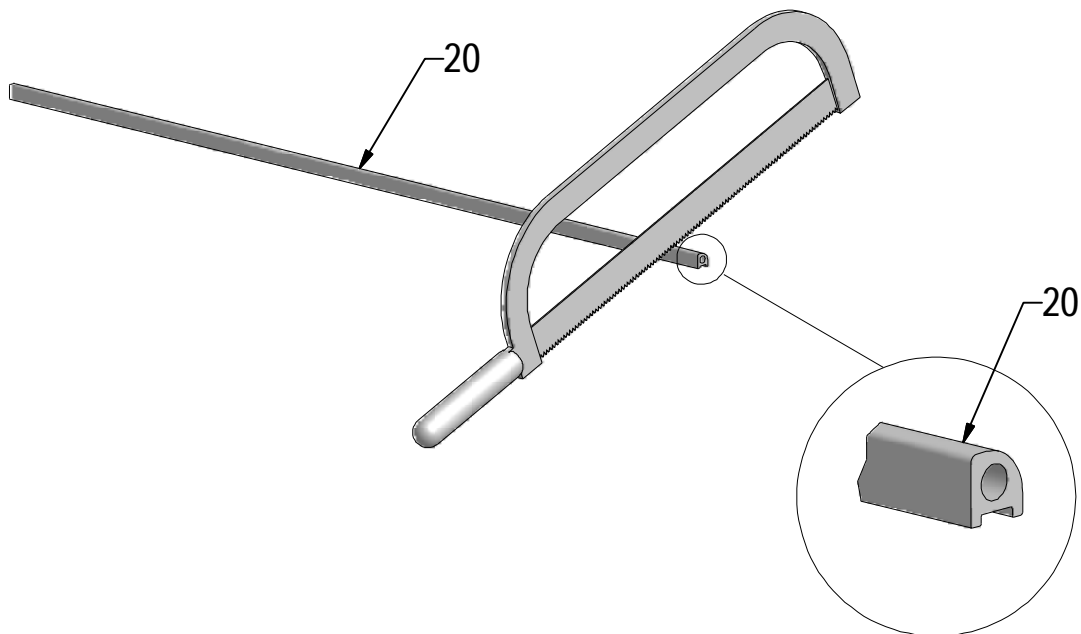
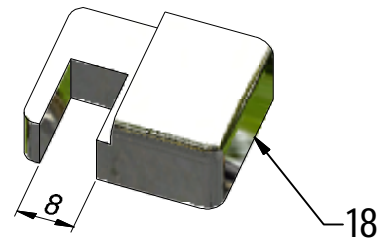


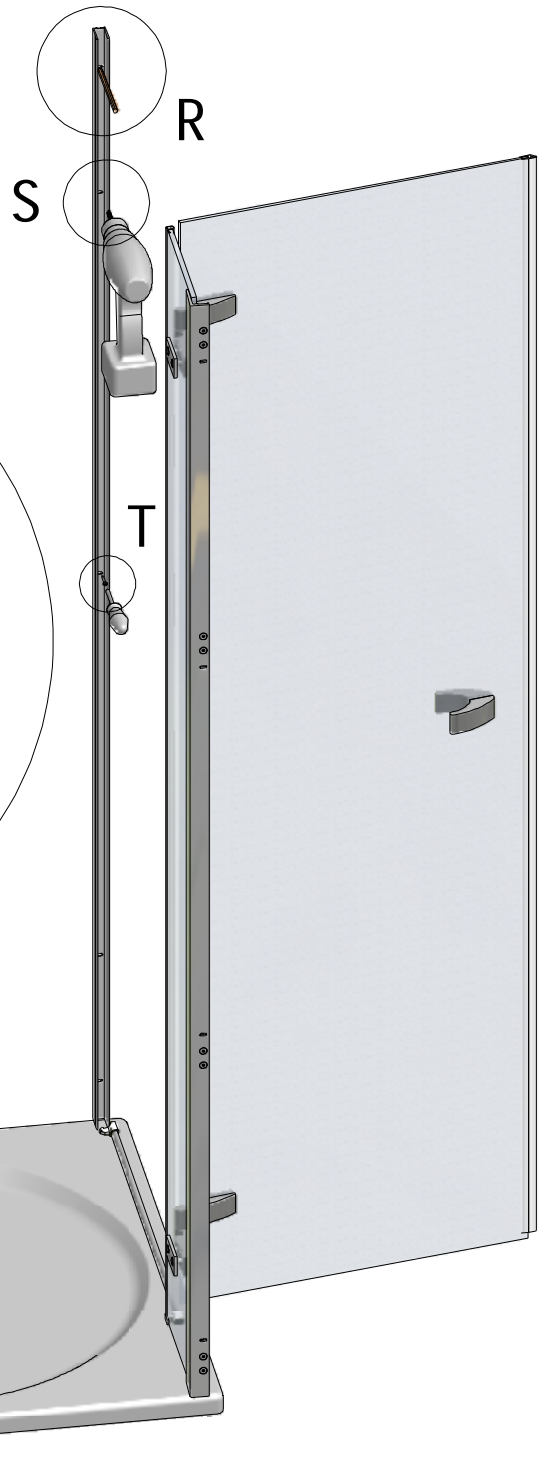
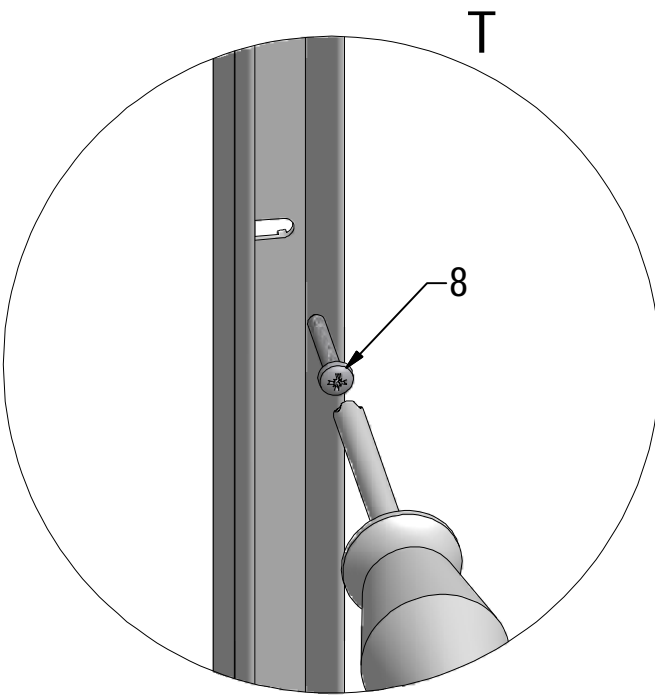
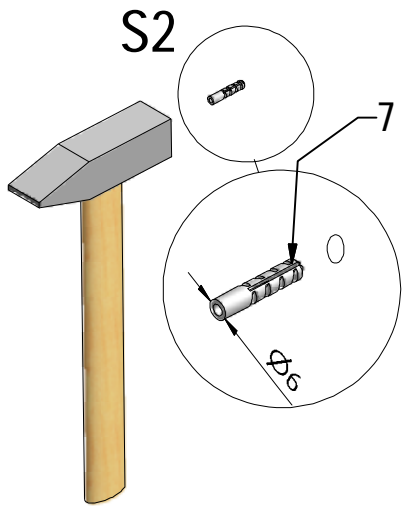
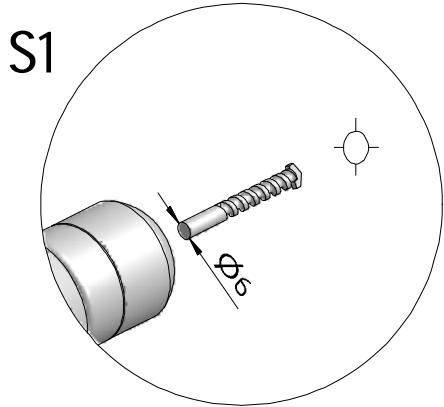
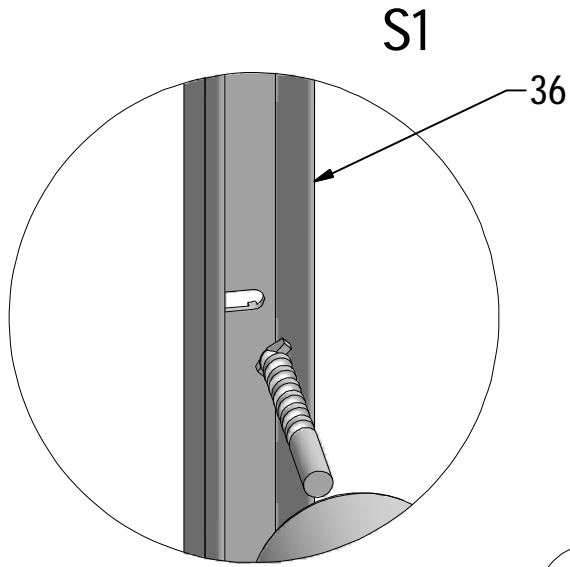
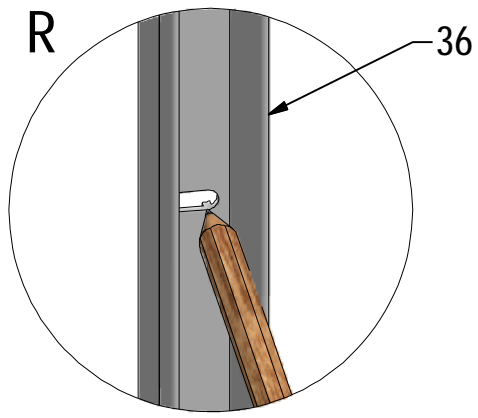


0 GDNP1

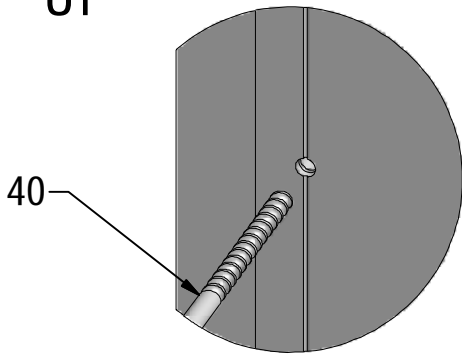


0 GDNL1

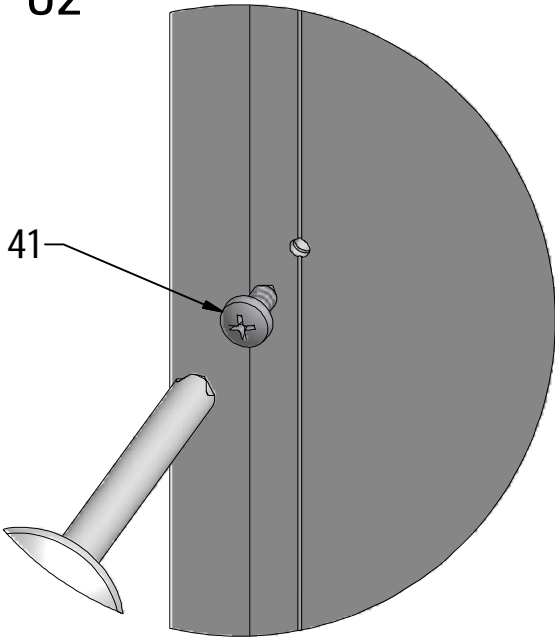




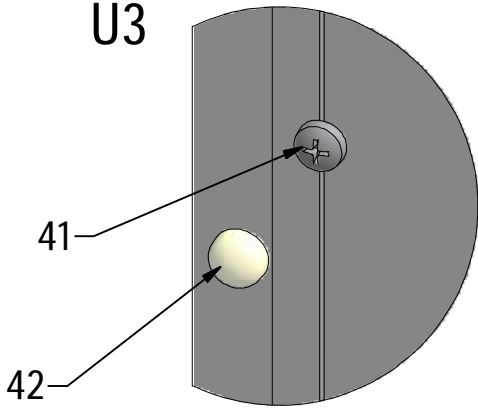
U1



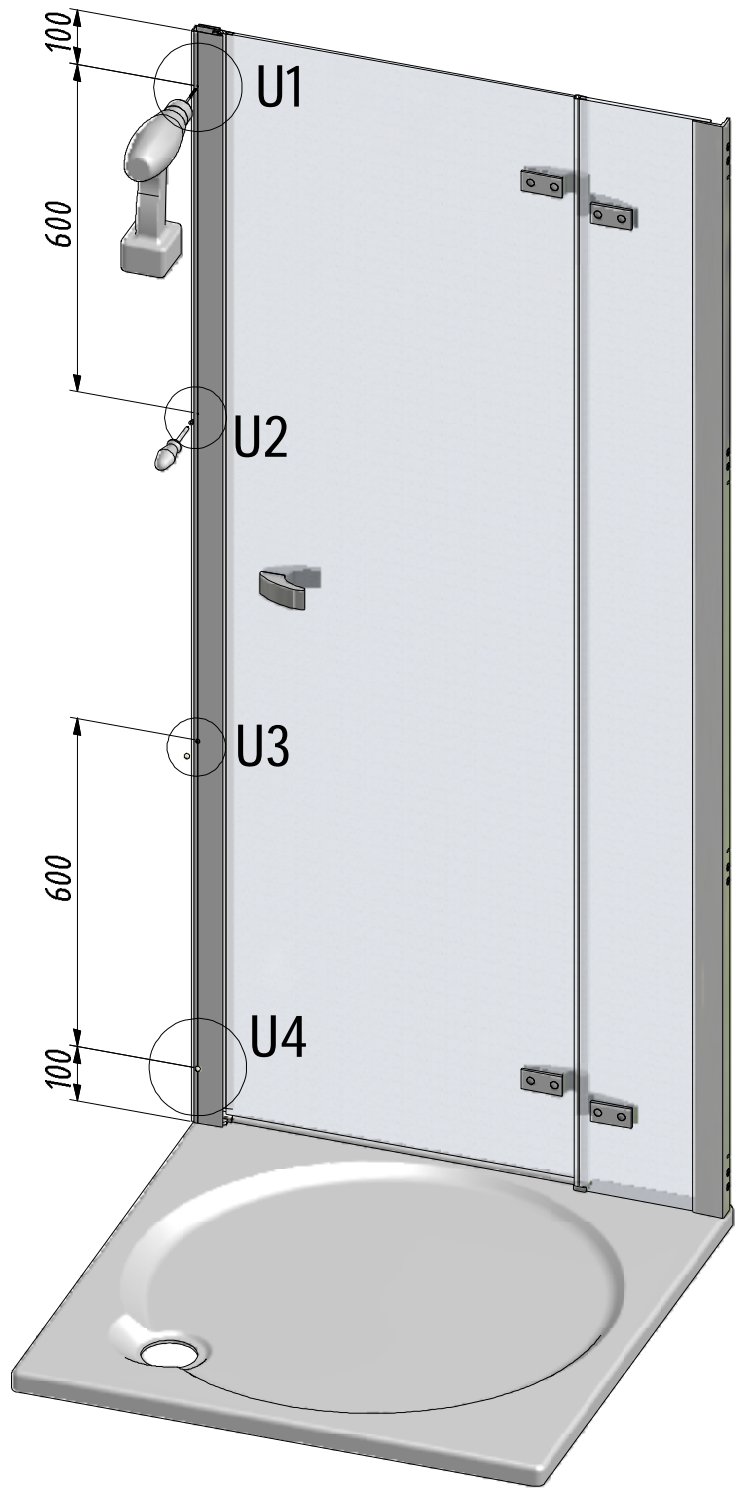
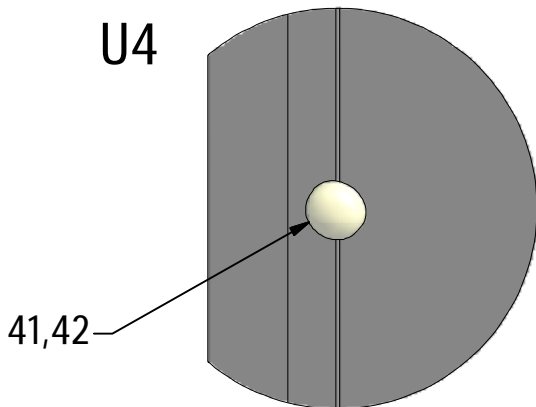
U2



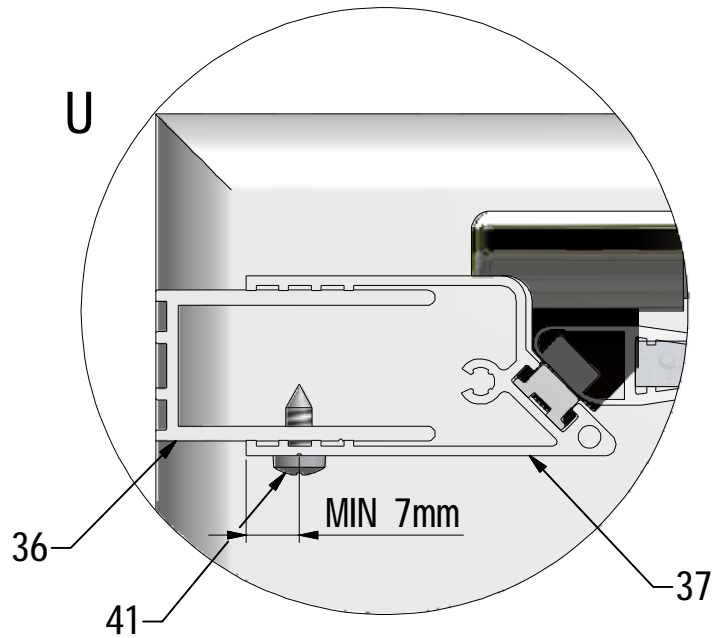
U3

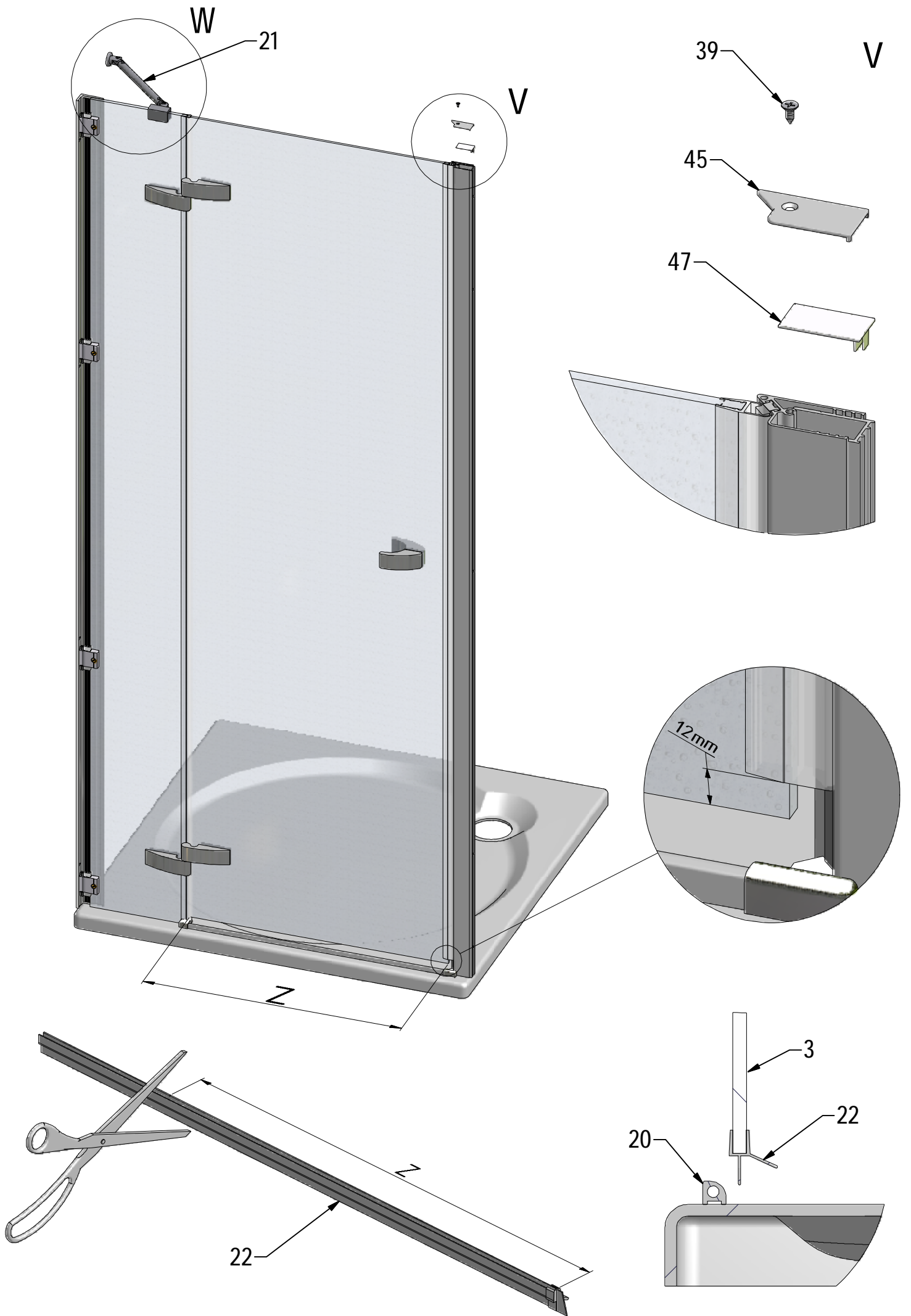


U4

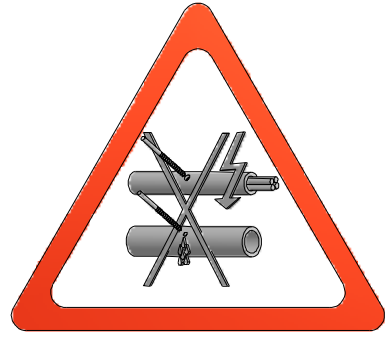
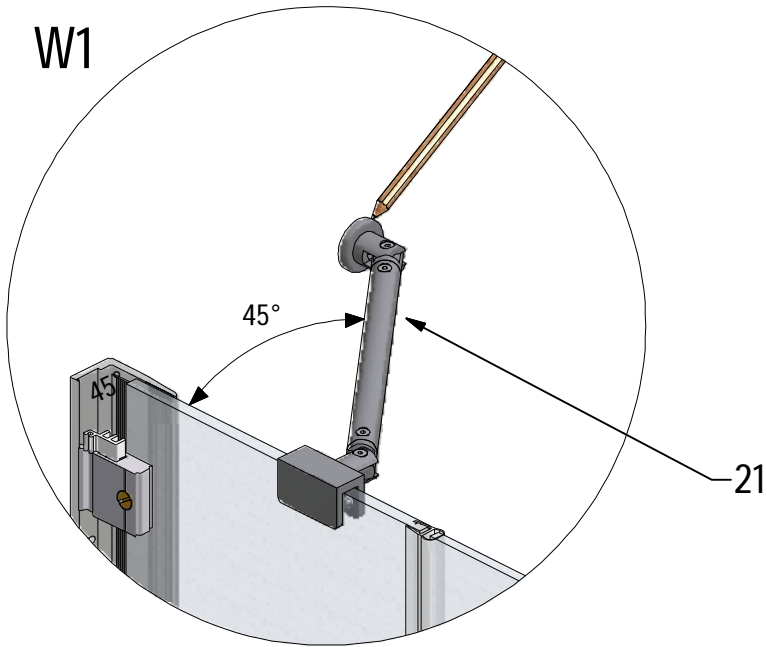


U

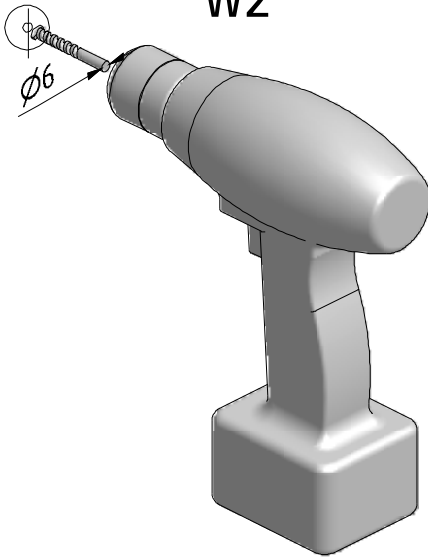




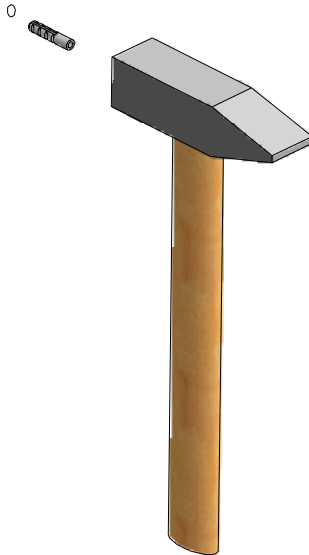
W1



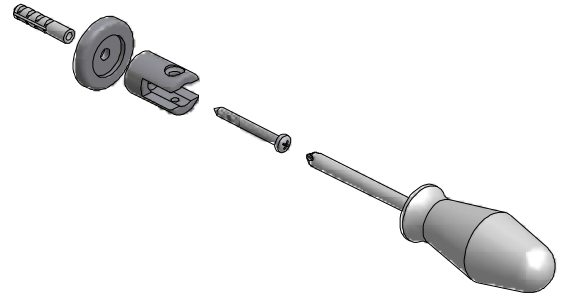
W2



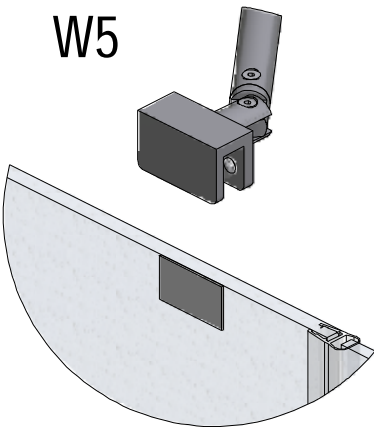
W3



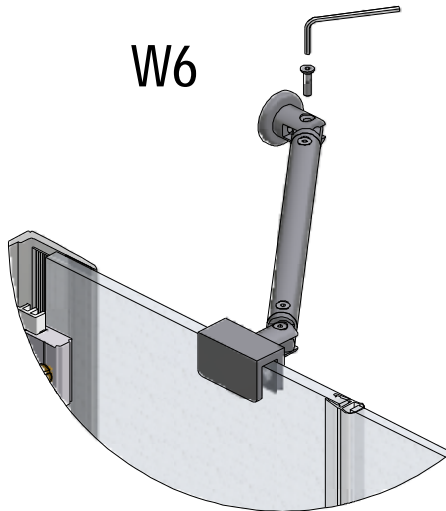
W4



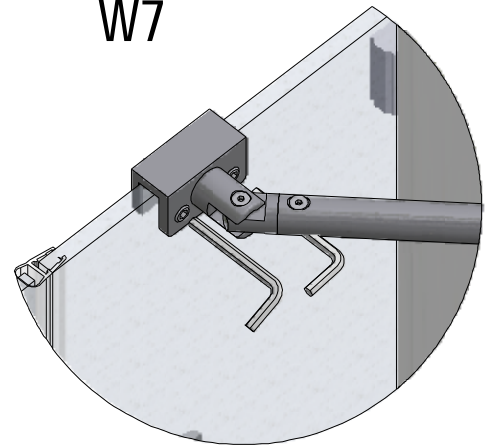
W5

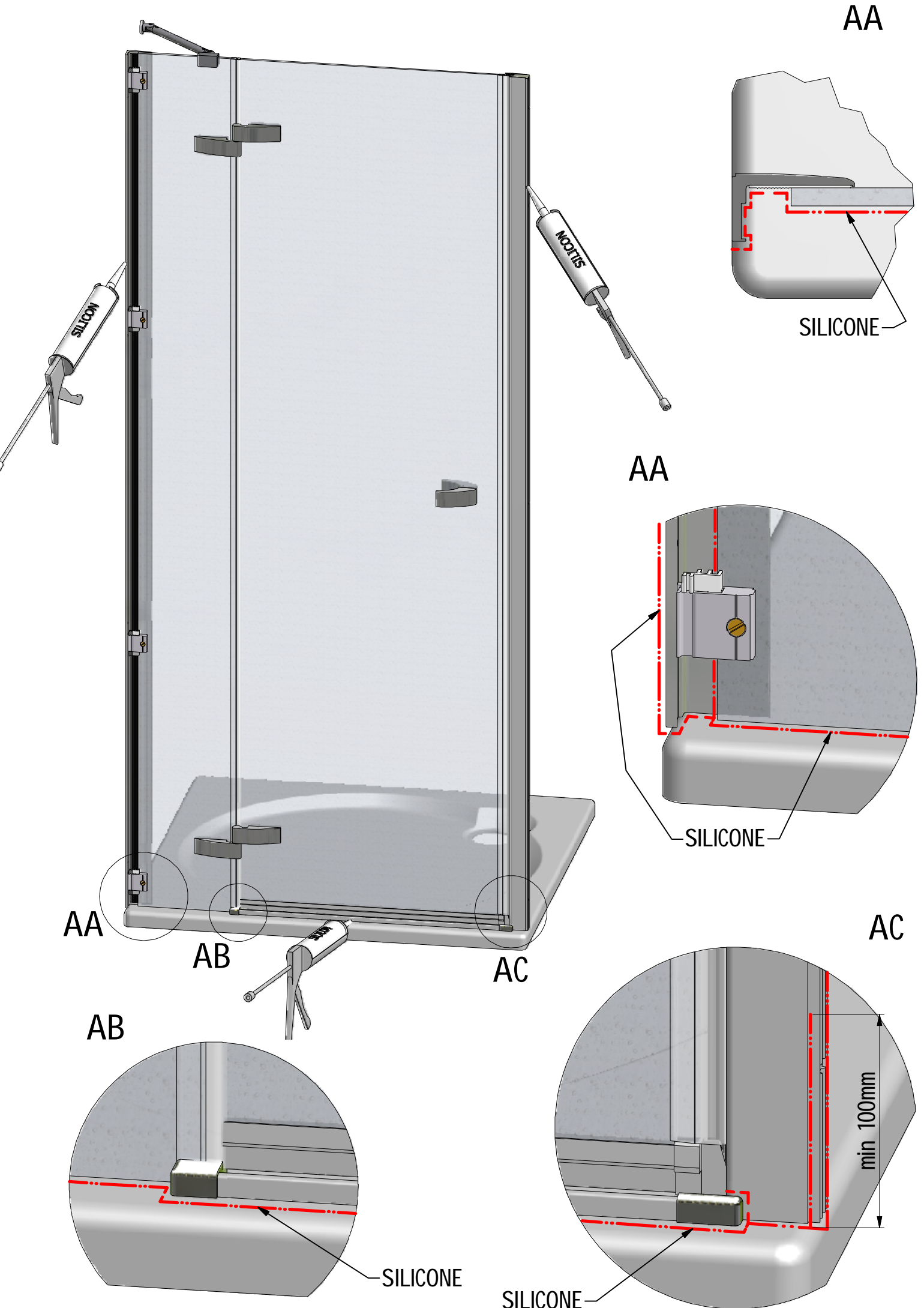


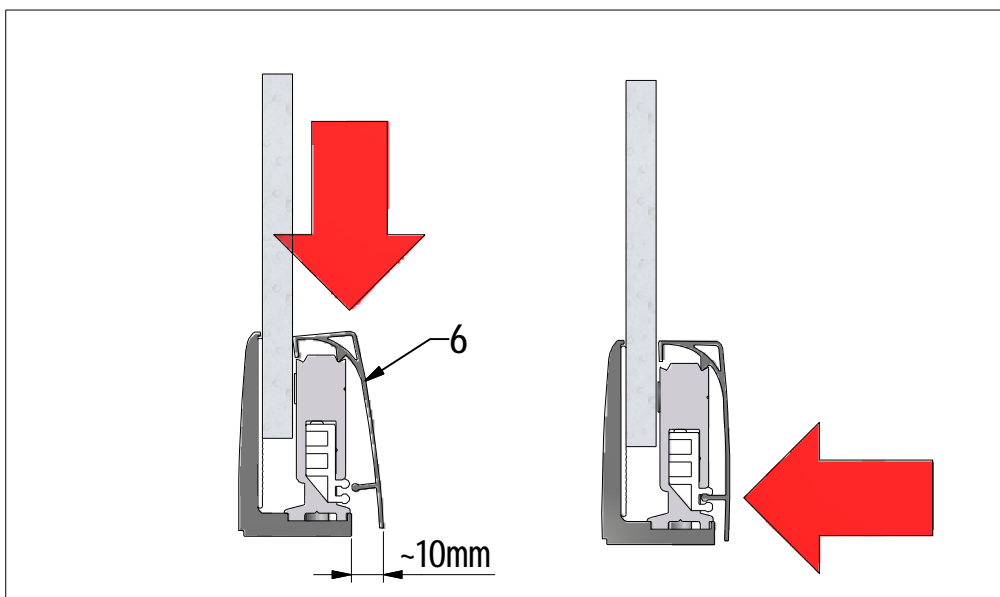
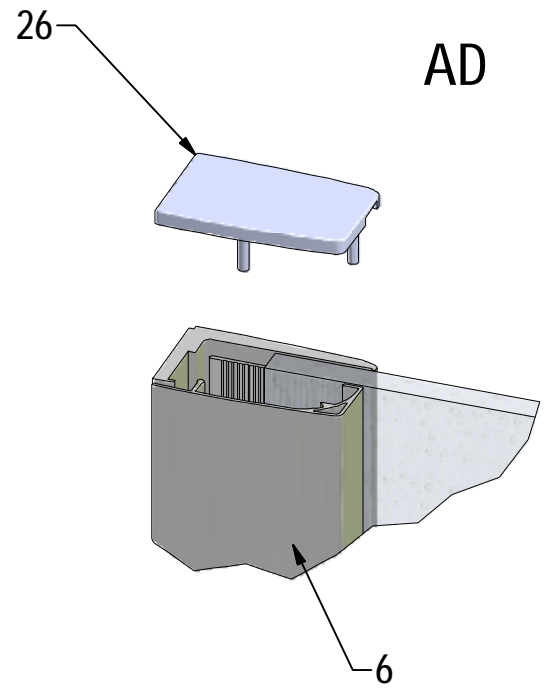
W6



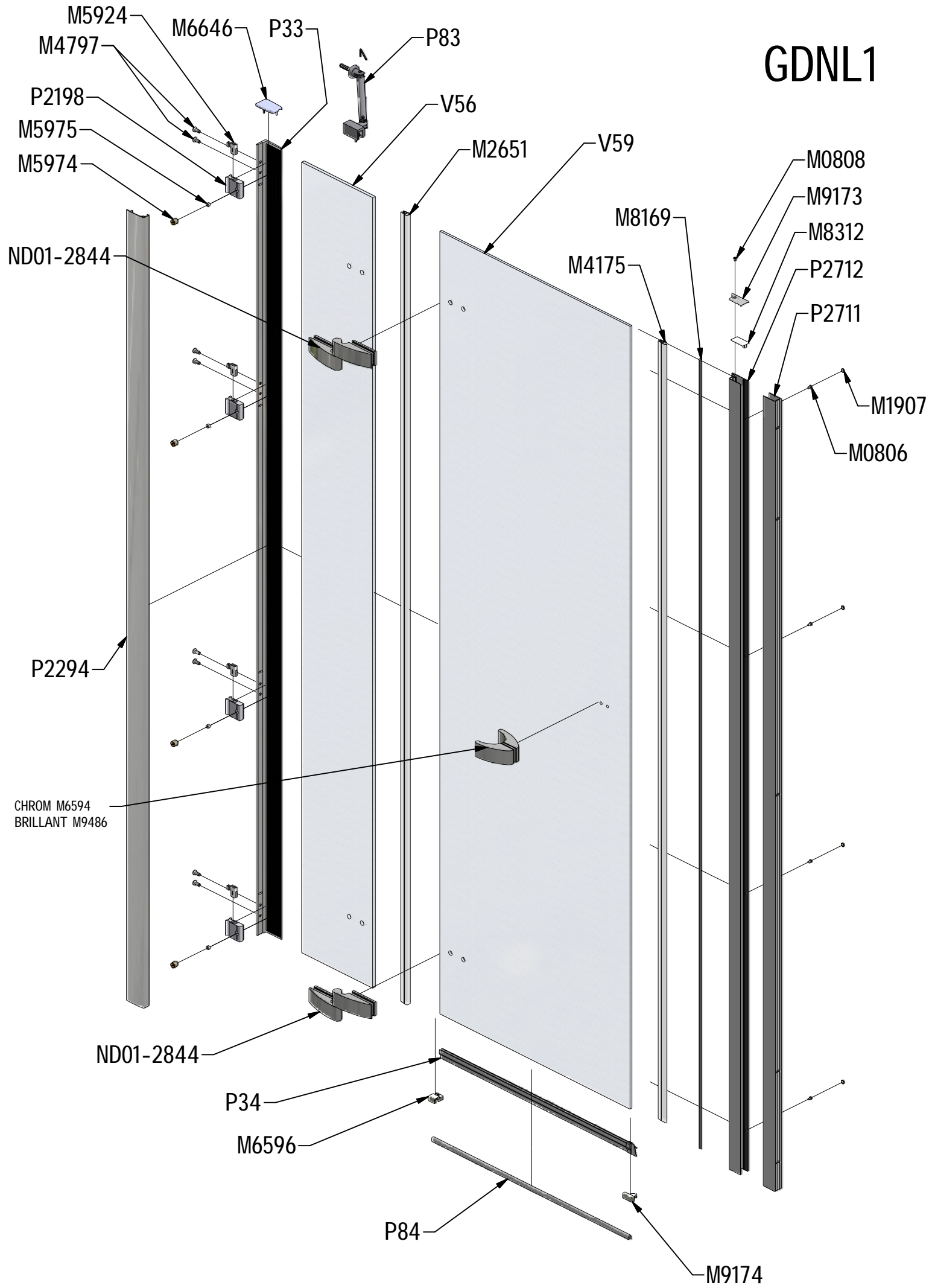
W7





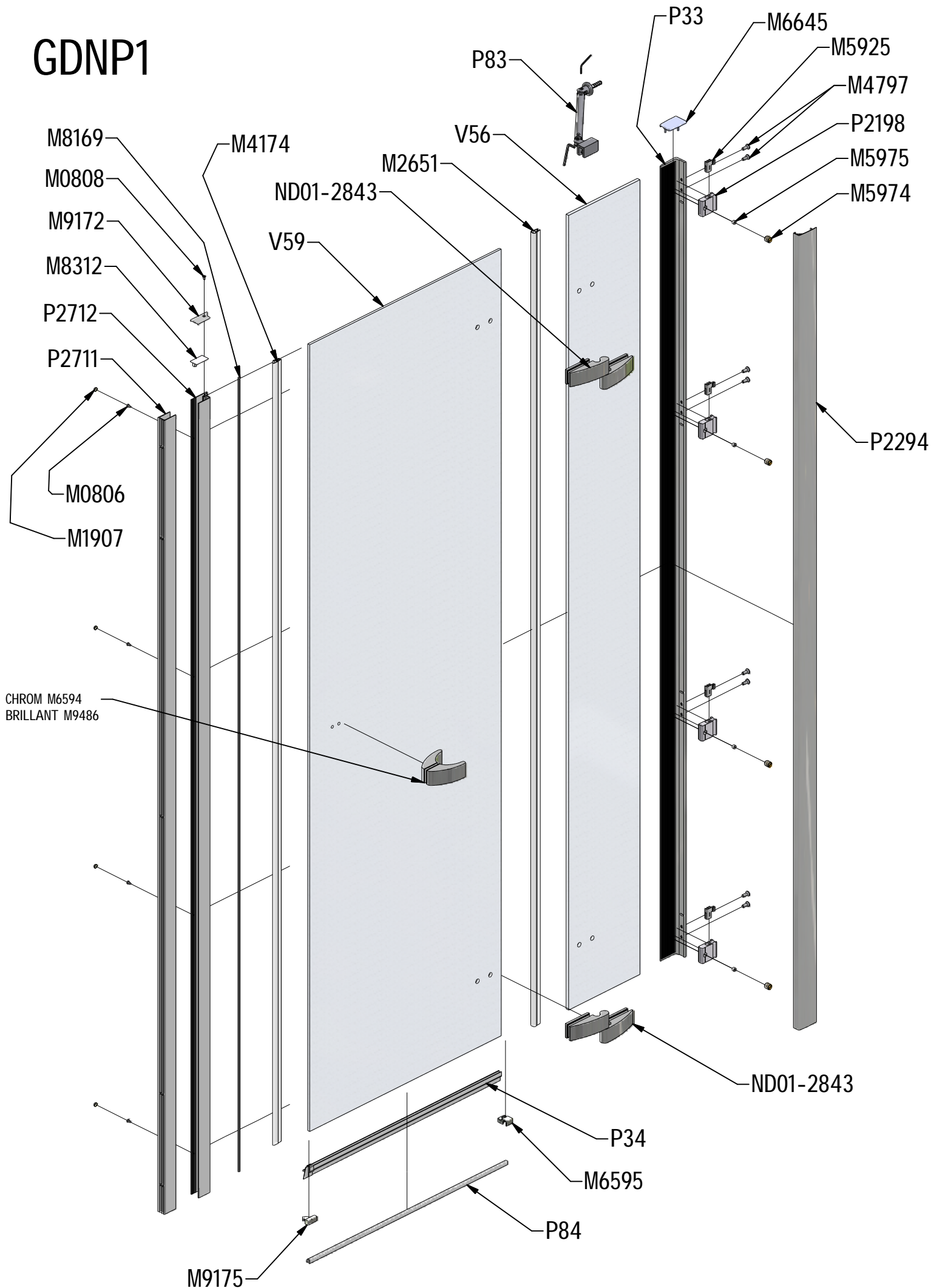


# GDNL1





# GDNP1



P33			ND01-0973-00
P34			ND01-2420
P83	800;900;1000;1100		M6473
	1200;1300;1400;1500		M6825
P84	800		ND01-2427-8
	900		ND01-2427-9
	1000		ND01-2427-9
	1100		ND01-2427-11
	1200		ND01-2427-11
	1300		ND01-2427-13
	1400		ND01-2427-13
	1500		ND01-2427-15

V56	800	clear glass	ND03-0278-00-02
	900		ND03-0278-00-02
	1000		ND03-0279-00-02
	1100		ND03-0279-00-02
	1200		ND03-0346-00-02
	1300		ND03-0346-00-02
	1400		ND03-0404-00-02
	1500		ND03-0404-00-02
V59	800	clear glass	ND02-0552-00-02
	900		ND02-0336-00-02
	1000		ND02-0336-00-02
	1100		ND02-0553-00-02
	1200		ND02-0553-00-02
	1300		ND02-0554-00-02
	1400		ND02-0554-00-02
	1500		ND02-0555-00-02





**ROLTECHNIK a.s. / Třebořov 160 / 569 33,  
CZECH REPUBLIC**

**10**

**EN 14428:2008+A1**