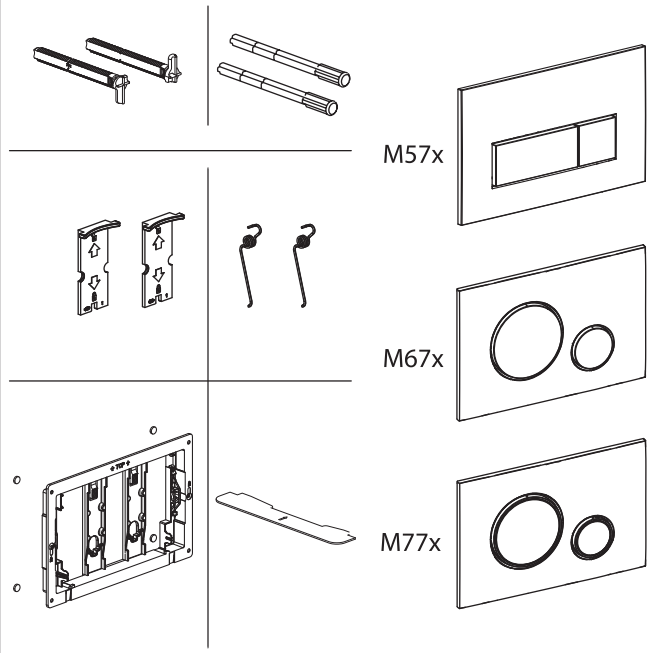
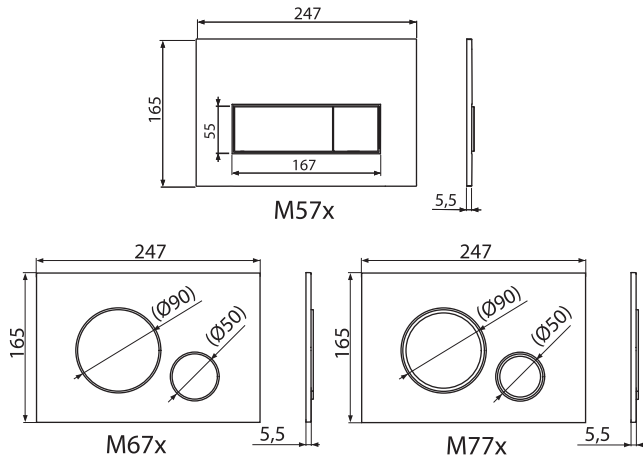




M57x ■ M67x ■ M77x

[mm]



- Step 1: Preparing the panel and hardware. The panel is shown with arrows indicating the placement of screws (2) and the hardware (1, 3, 4). A PS (Polystyrene) recycling symbol is shown.
- Step 2: Removing the old panel. The panel is shown being lifted out of the frame. A PS recycling symbol is shown.
- Step 3: Preparing the new panel. The panel is shown being inserted into the frame. A PS recycling symbol is shown.
- Step 4: Tightening the hardware. The hardware (1, 2, 3) is shown being tightened into the panel. A PS recycling symbol is shown.
- Step 5: Final assembly. The panel is shown being fully assembled into the frame. A PS recycling symbol is shown.
- Step 6: Adjusting the panel. The panel is shown being adjusted into the frame. A G3/8" dimension is indicated. An eye icon is shown.
- Step 7: Final check. The panel is shown being checked for proper fit. A PS recycling symbol is shown.
- Step 8: Recycling information. The panel is shown being recycled. A PS recycling symbol is shown. Text: A100, A101, A102, A112, A115, A116 AM100, AM101, AM102, AM112, AM115, AM116

SLIM - A1101B, A1112B, A1115B AM1101B, AM1112B, AM1115B

ABS recycling symbol and a warning triangle are shown.
- Step 9: Final assembly. The panel is shown being fully assembled into the frame. A PS recycling symbol is shown.

