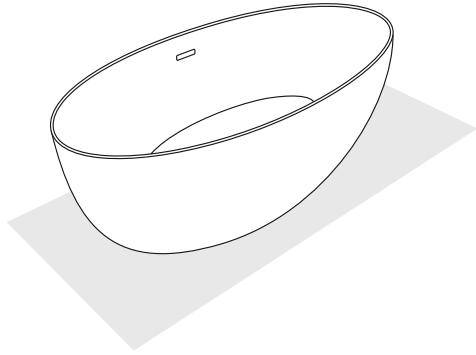


*Wellsee*

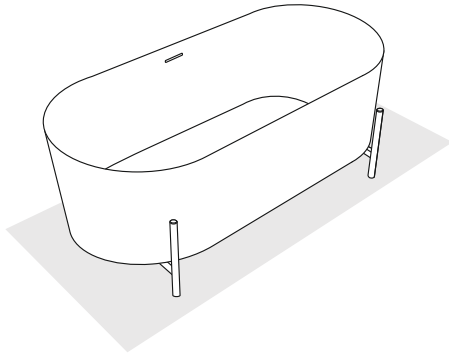
# INSTRUCTION

info@wellsee.pl  
wellsee.pl

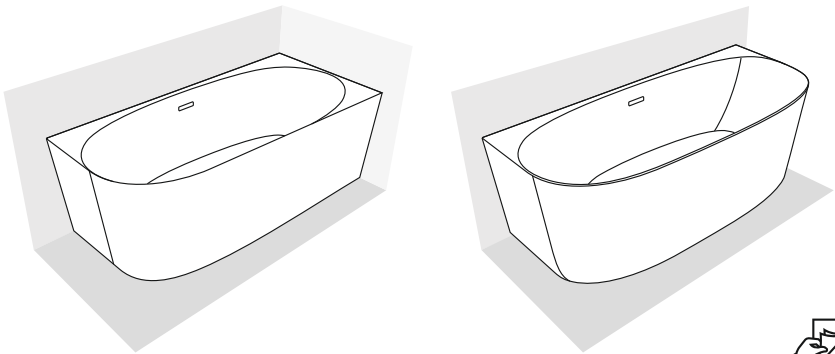
1



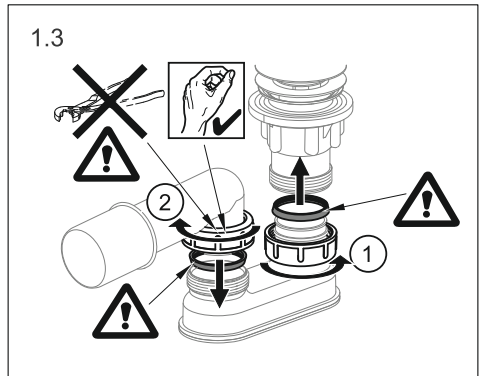
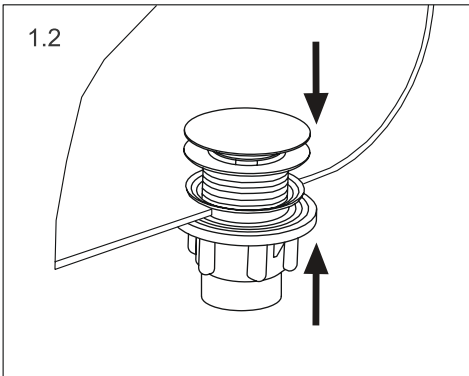
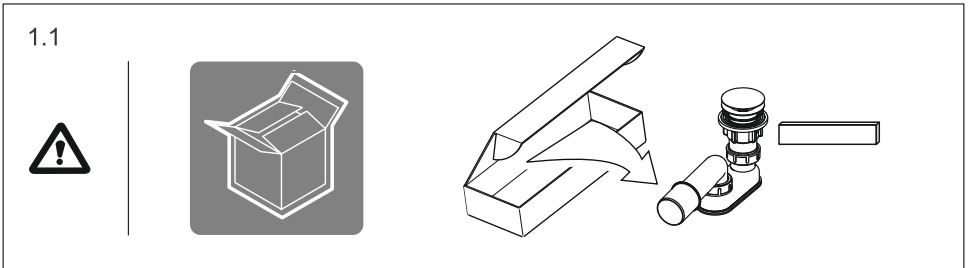
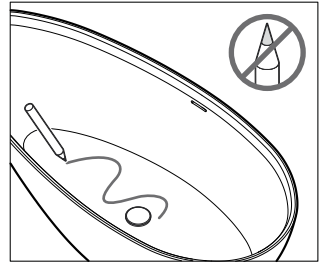
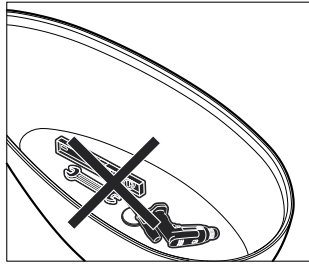
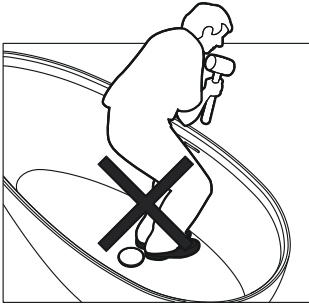
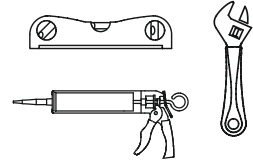
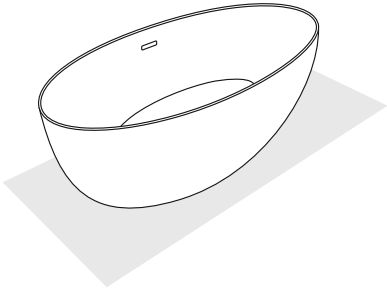
2

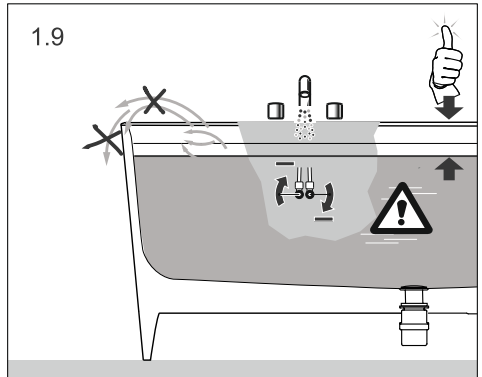
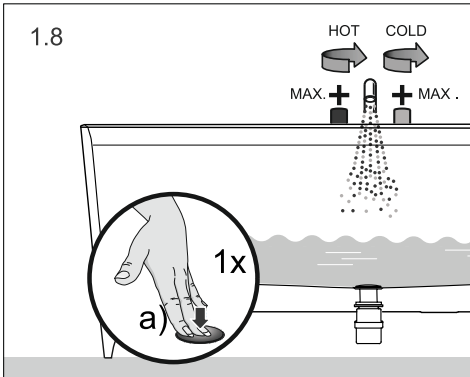
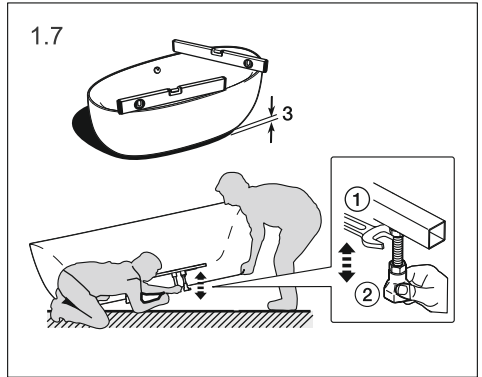
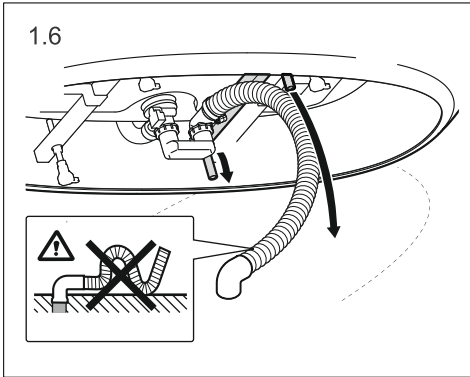
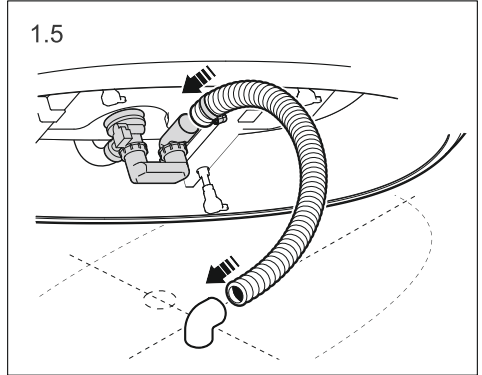
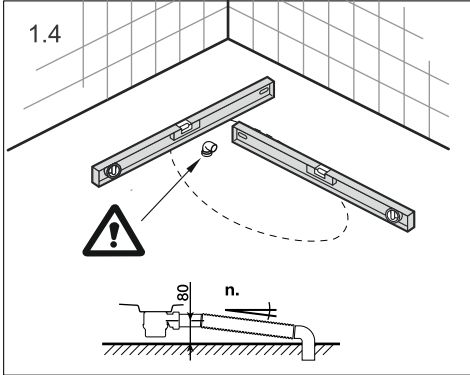
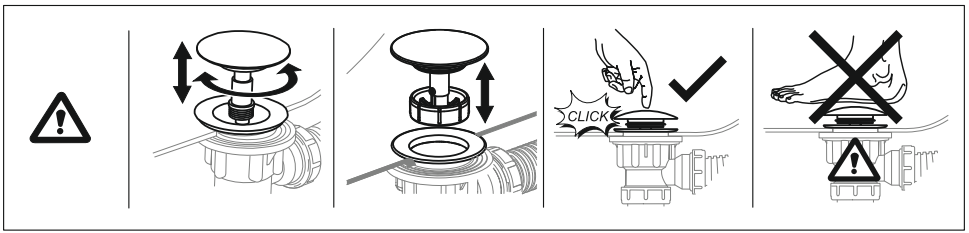


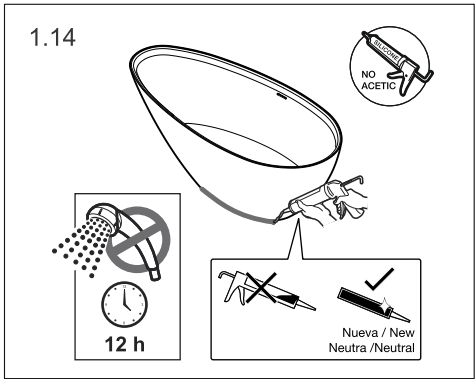
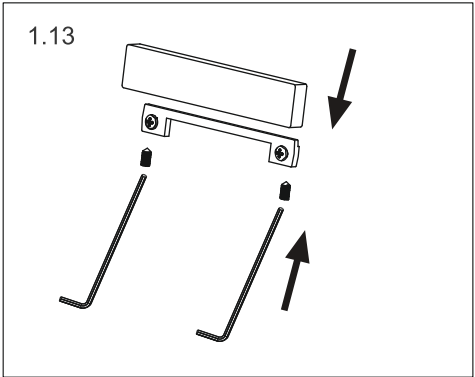
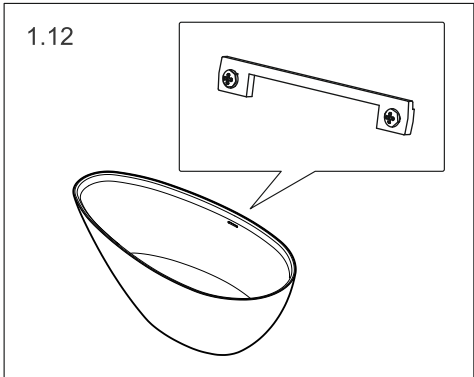
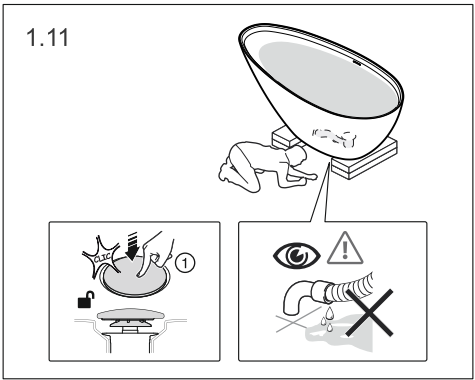
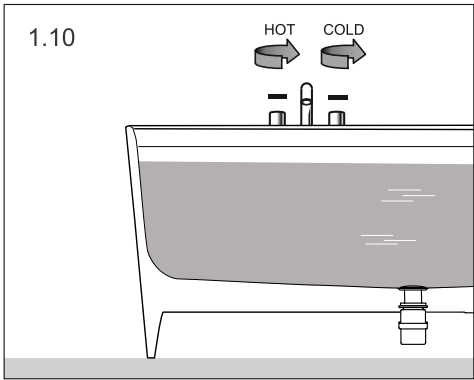
3



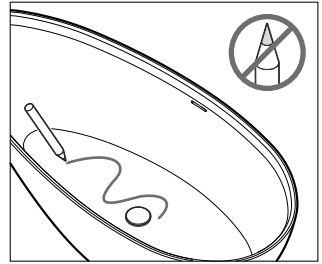
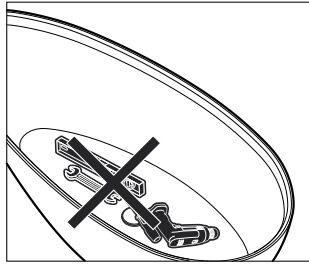
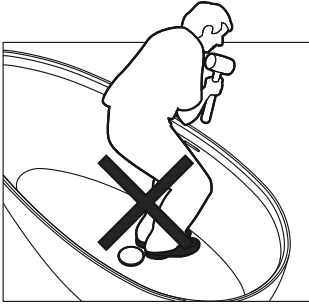
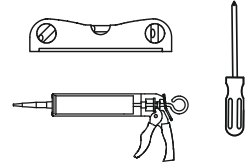
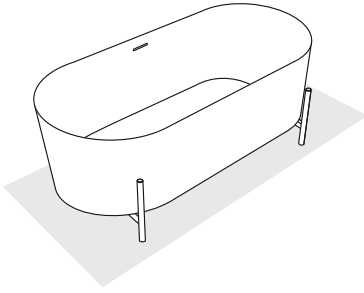
# 1







# 2



2.1

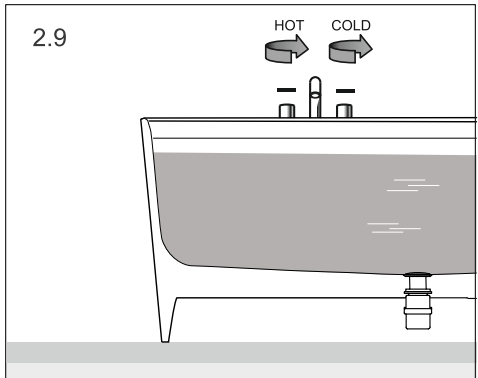
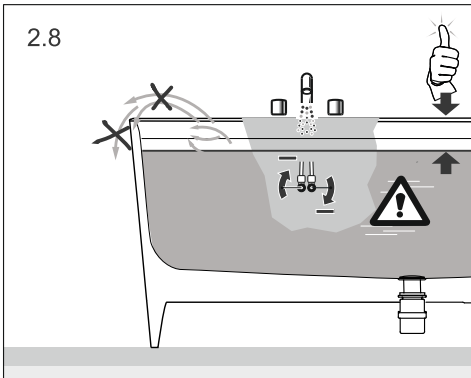
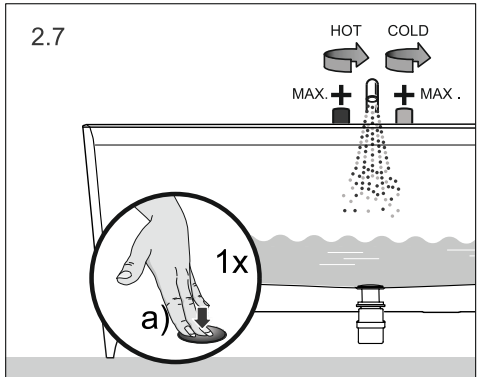
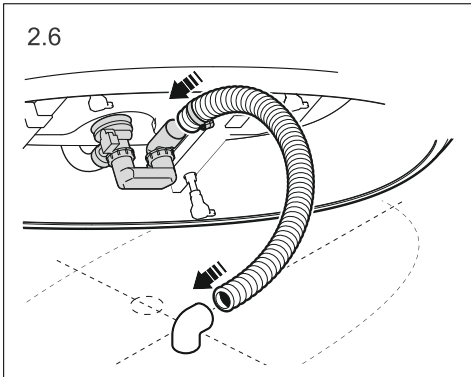
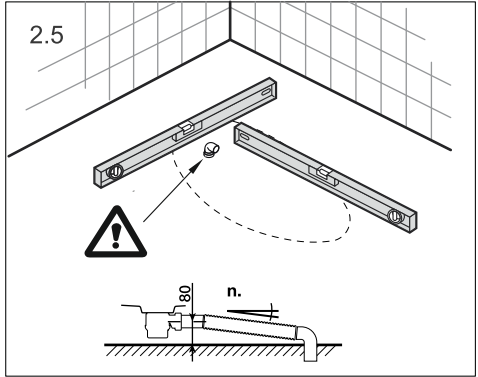
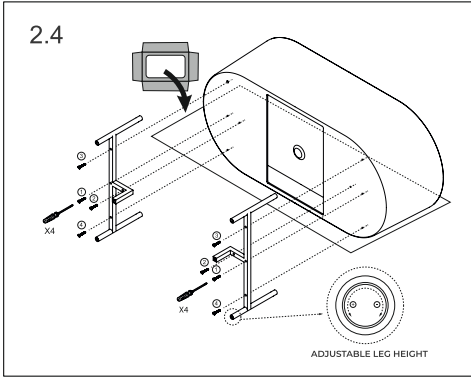
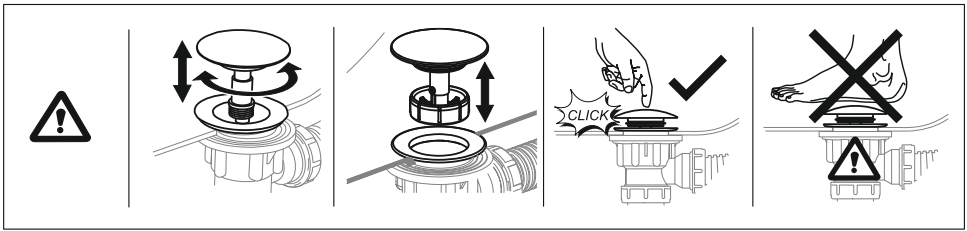
A section containing a warning icon (exclamation mark in a triangle), an icon of an open cardboard box, and a detailed illustration of a bathtub faucet assembly. The assembly includes a cartridge, a decorative cap, and a long, thin rod.

2.2

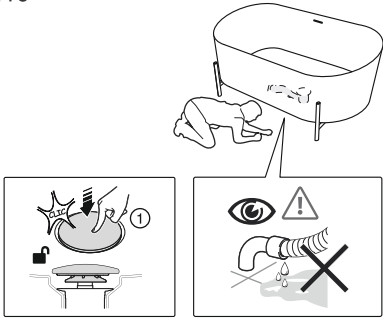
A diagram showing the faucet assembly being inserted into the bathtub deck. Two arrows indicate the direction of insertion: one pointing down into the top of the assembly and one pointing up from the bottom of the assembly.

2.3

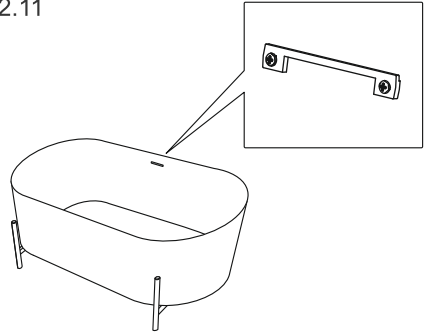
A diagram showing the final assembly steps. It includes a warning icon with a crossed-out screwdriver, a checkmark icon with a hand, and a warning icon with a hand. Two numbered callouts, '1' and '2', indicate specific steps in the assembly process. The diagram shows the faucet assembly being tightened onto the bathtub deck.



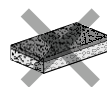
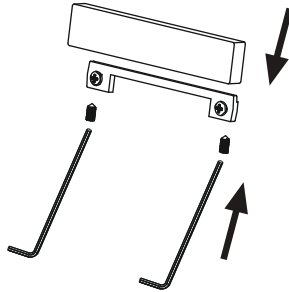
2.10



2.11

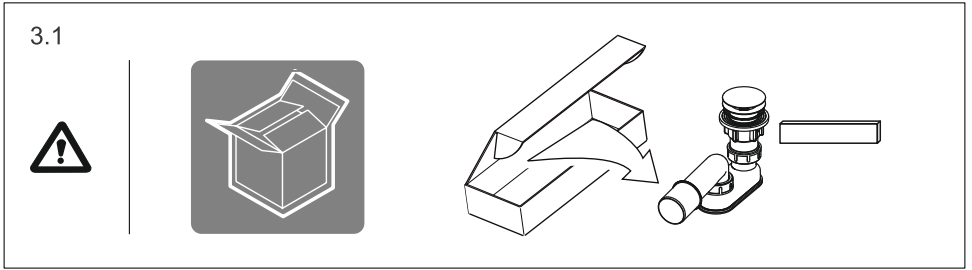
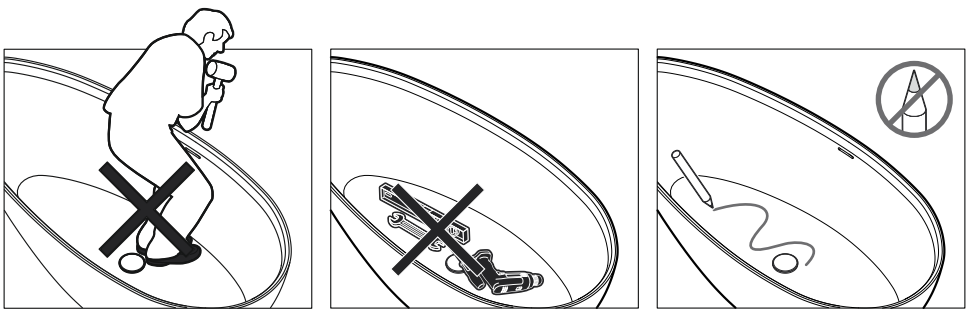
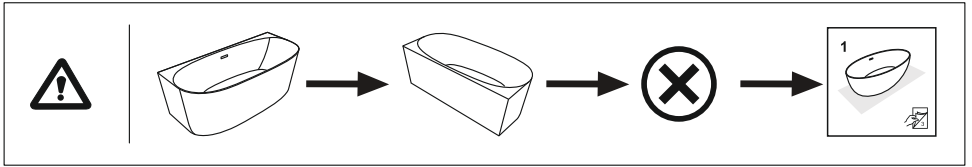
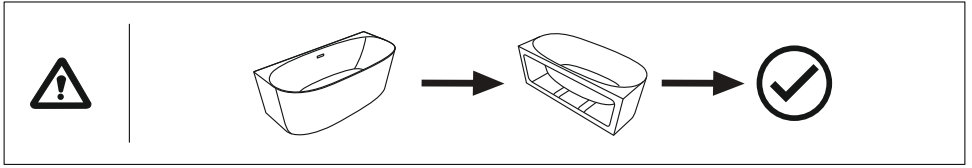
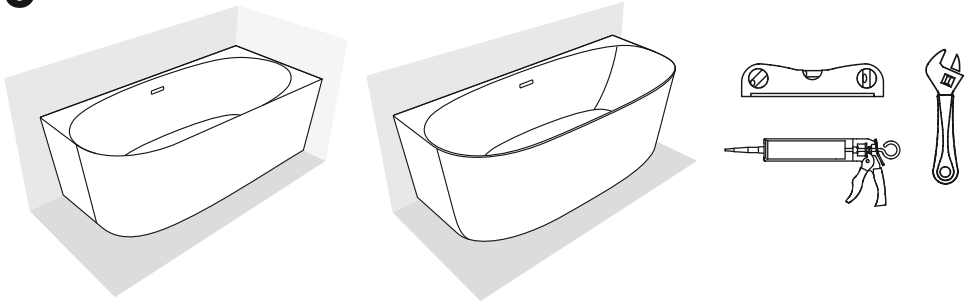


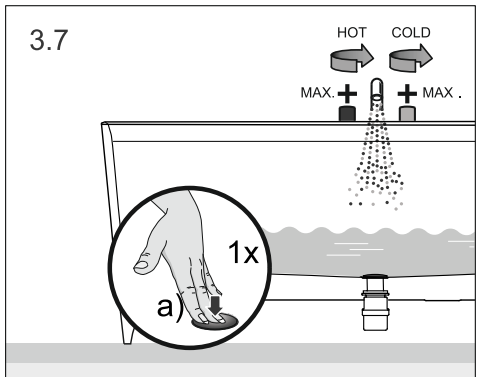
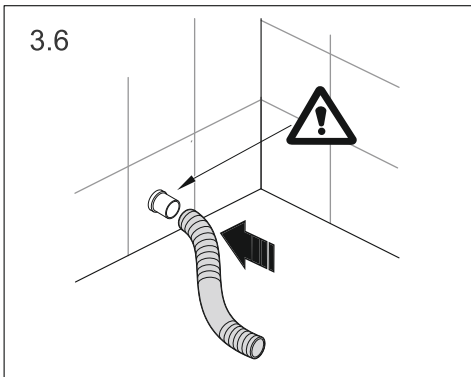
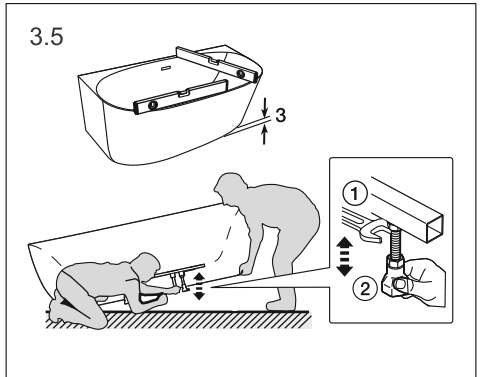
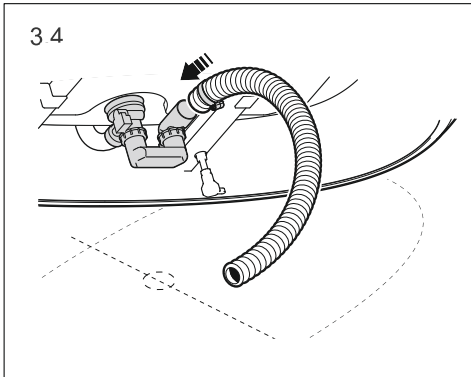
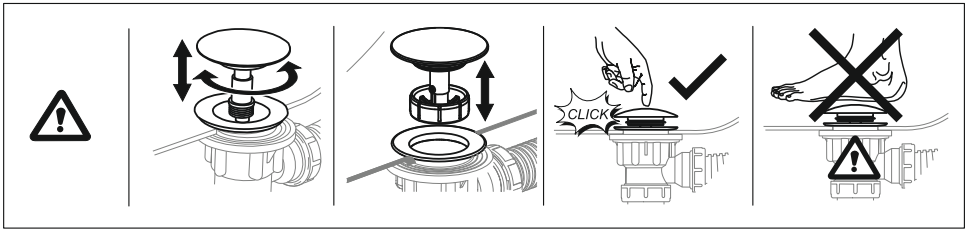
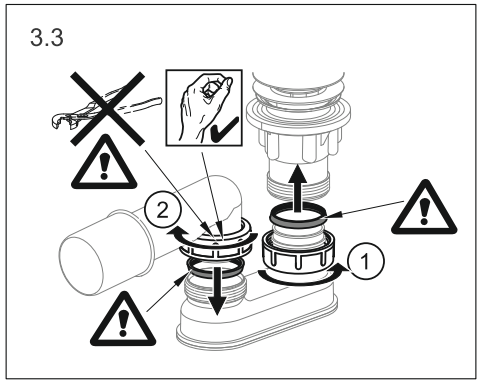
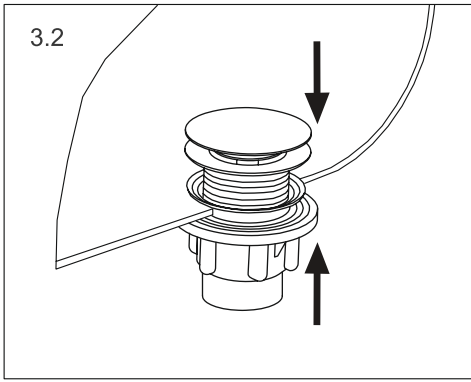
2.12

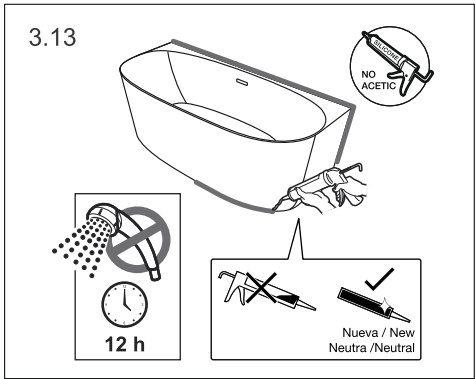
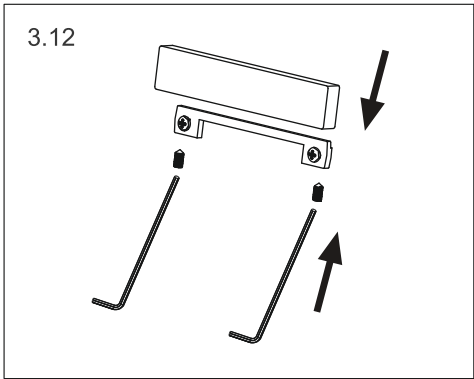
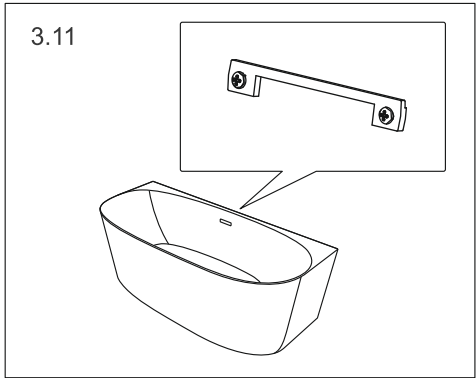
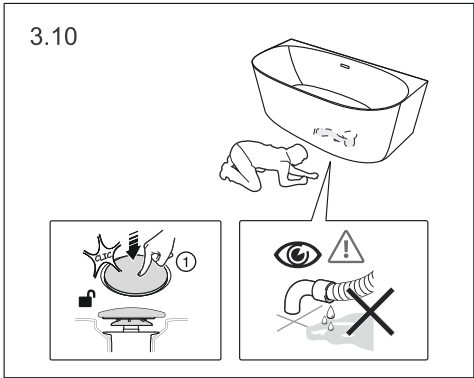
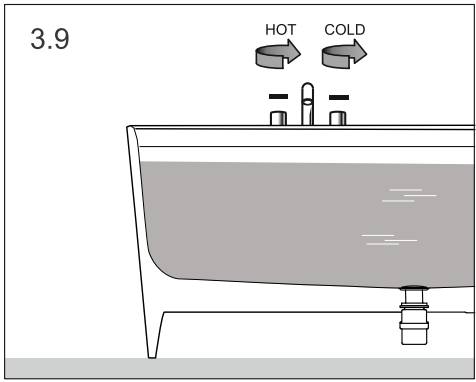
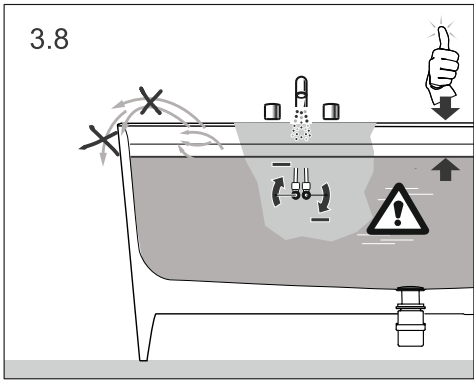




# 3







*Wellsee*

info@wellsee.pl  
wellsee.pl

# Wellsee

## Instruction

