

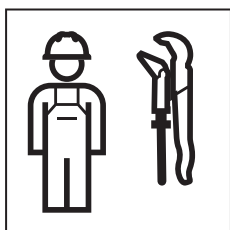
**GEBERIT ALPHA 12 CM**  
**(2023–)**

**■ GEBERIT**

# **MAINTENANCE MANUAL**

INSTANDHALTUNGSANLEITUNG  
MANUEL D'ENTRETIEN  
ISTRUZIONI PER LA MANUTENZIONE

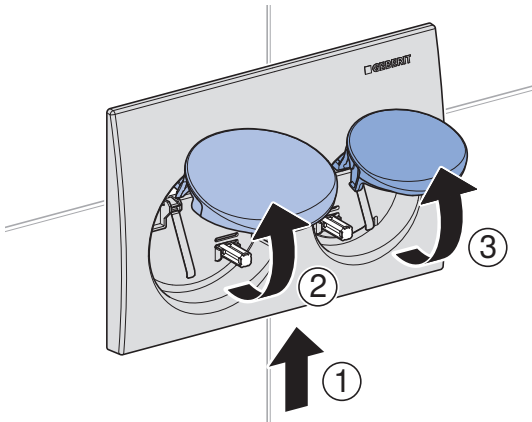
**KNOW  
HOW  
INSTALLED**



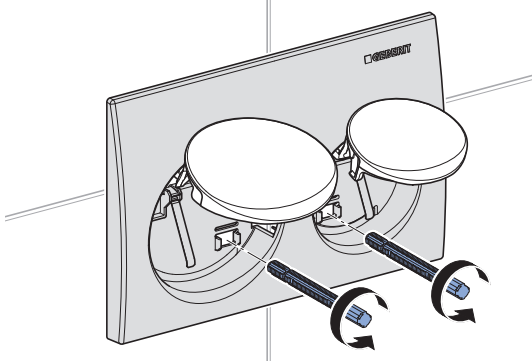


1

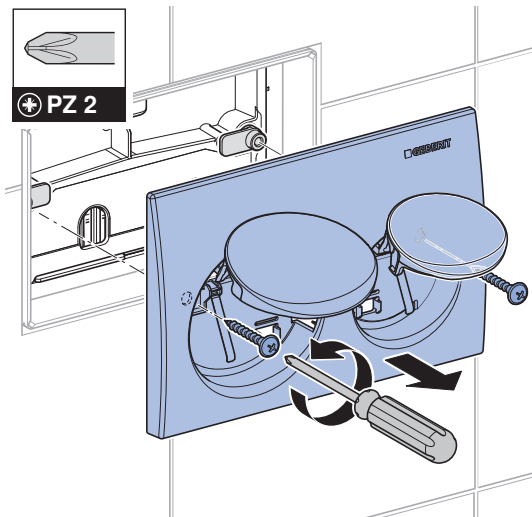
1



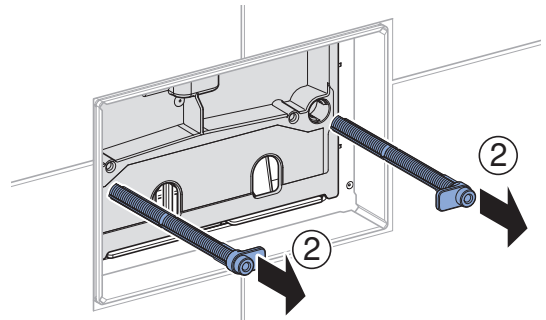
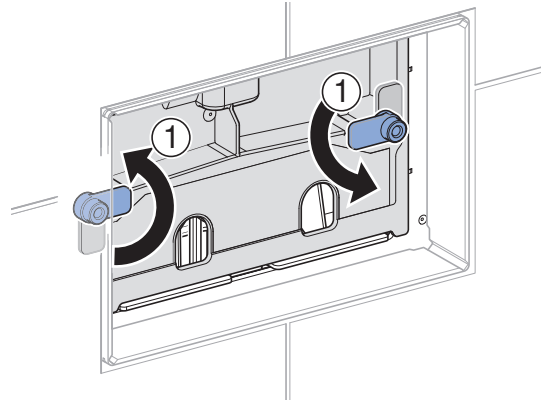
2



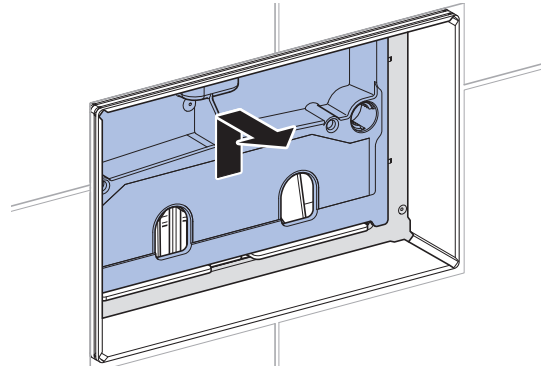
3



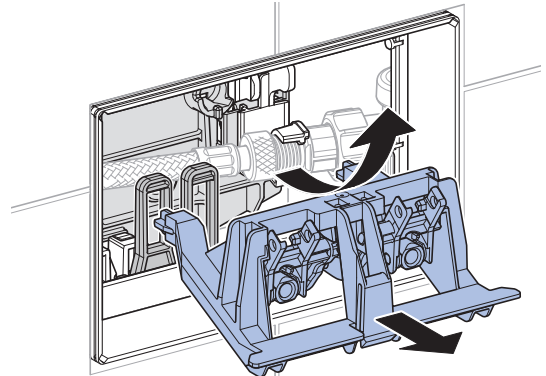
4



5

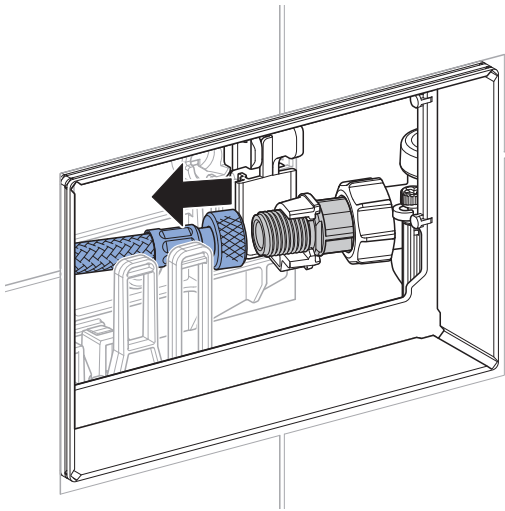


6

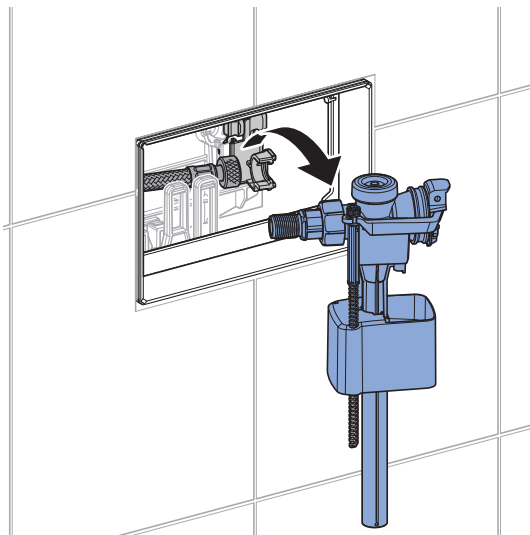


2

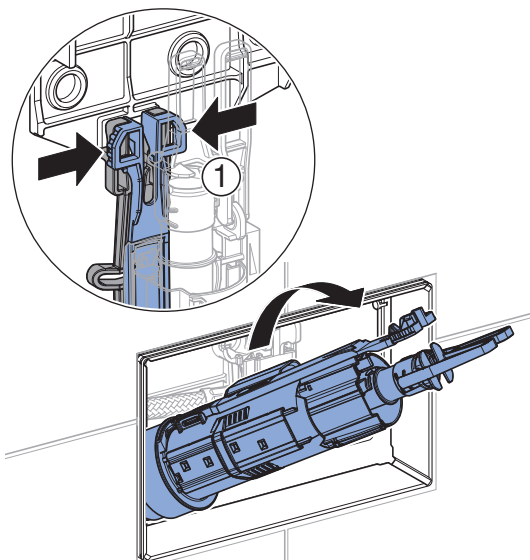
1



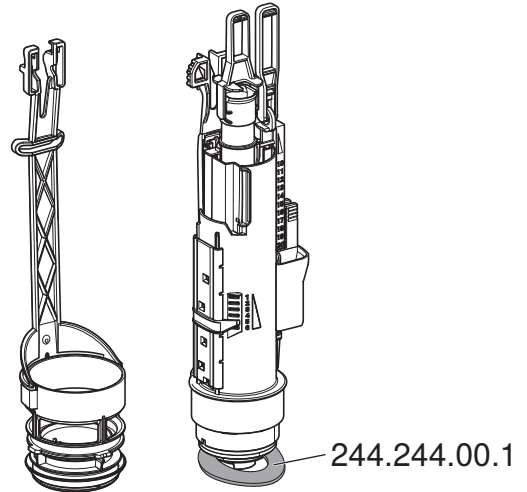
2



3

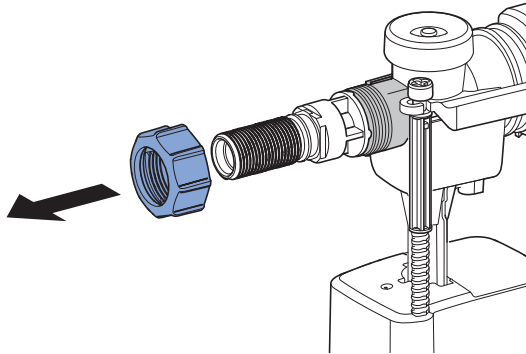


4

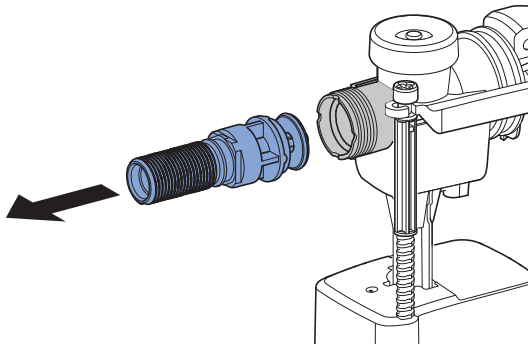


# 3

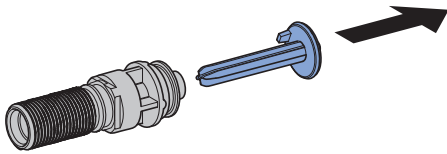
## 1



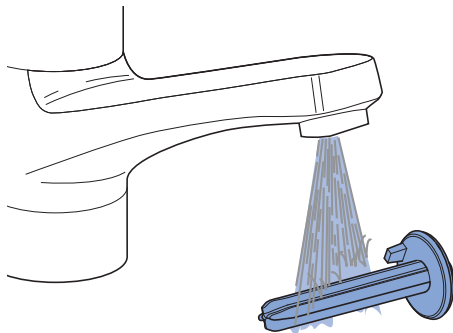
## 2



## 3

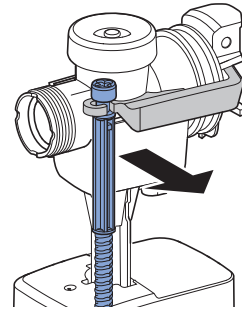


## 4

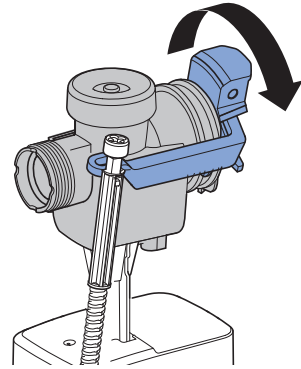


# 4

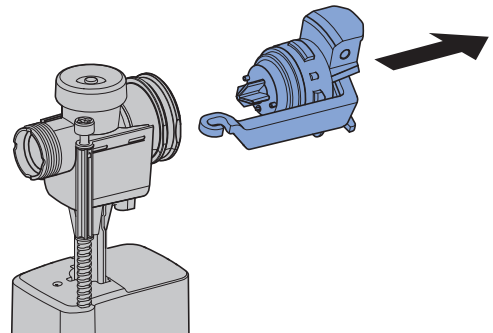
## 1



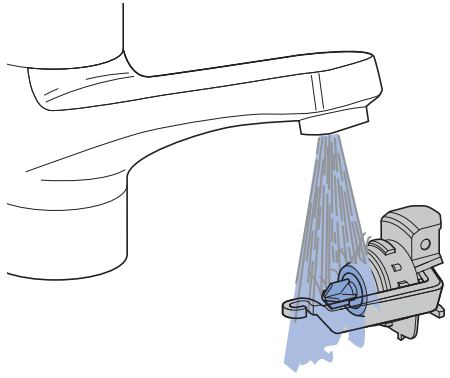
## 2



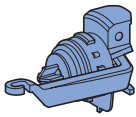
## 3

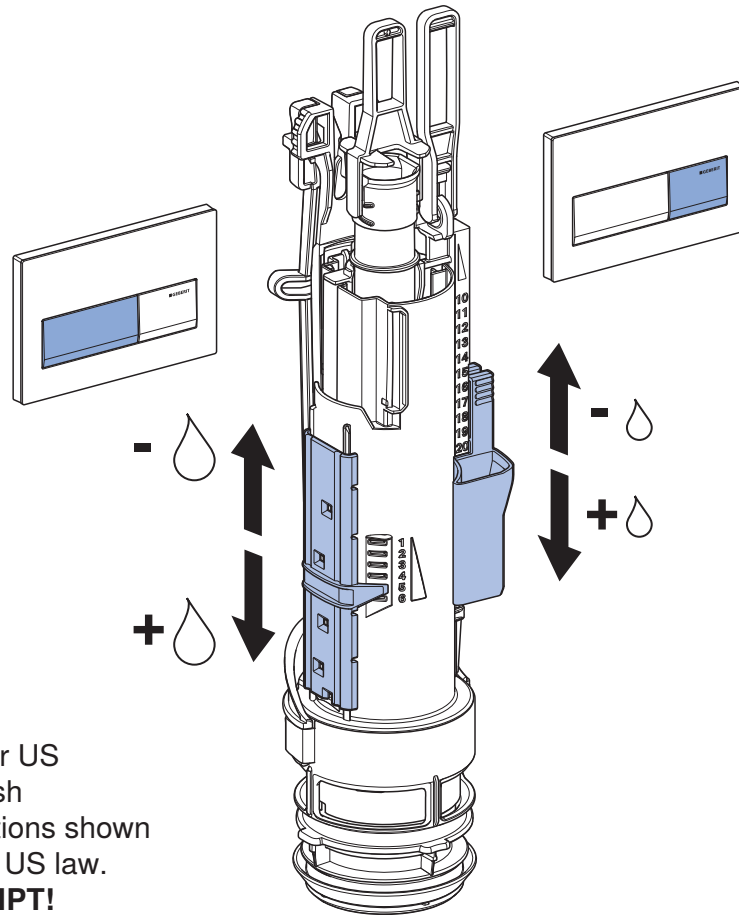


4

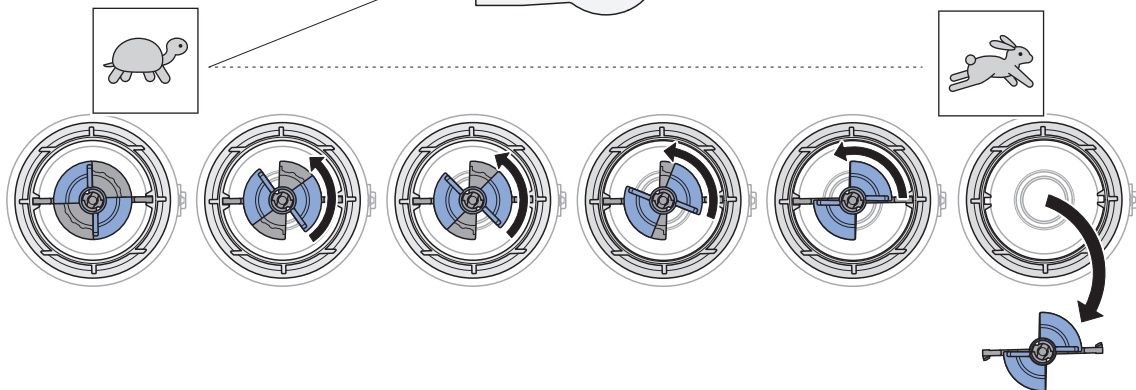
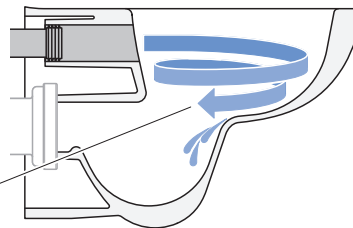


i

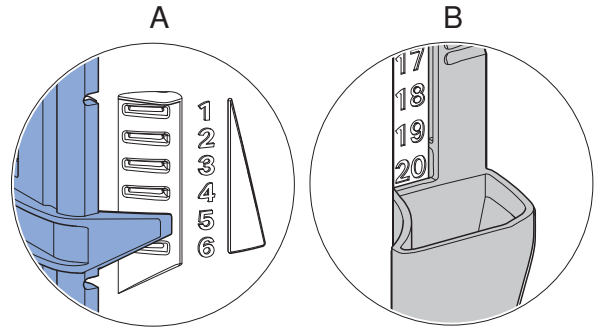
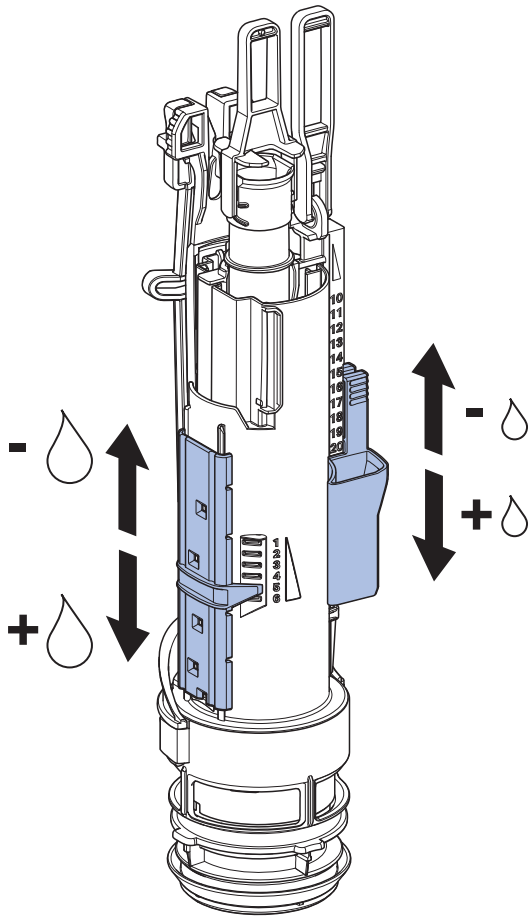






**NOTE:**  
 Not applicable for US  
 installations. Flush  
 volume modifications shown  
 are a violation of US law.  
**DO NOT ATTEMPT!**



5	4	3	2	1	0
0%	25%	50%	75%	100%	No throttle



	A	B
👉/👈		
7.5 / 3 l	6	20
6 / 3 l	5	20
4.5 / 3 l	3	20
4 / 2 l	2	15



---

Geberit International AG  
Schachenstrasse 77, CH-8645 Jona  
documentation@geberit.com  
www.geberit.com