









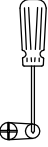
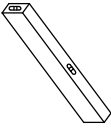


|   |   |                                   |   |   |   |   |   |
|---|---|-----------------------------------|---|---|---|---|---|
|  | 1 | $\varnothing 6\text{mm}$<br>M4*10 | 2 |  | 4 |  | 1 |
|  | 1 | $\varnothing 6\text{mm}$<br>M4*30 | 4 |  | 1 |  | 1 |
|  | 1 | $\varnothing 6\text{mm}$<br>M4*20 | 2 |  | 1 |  | 1 |
|  | 2 |                                   |   |   |   |   |   |



Ø6, Ø2.8

