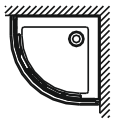
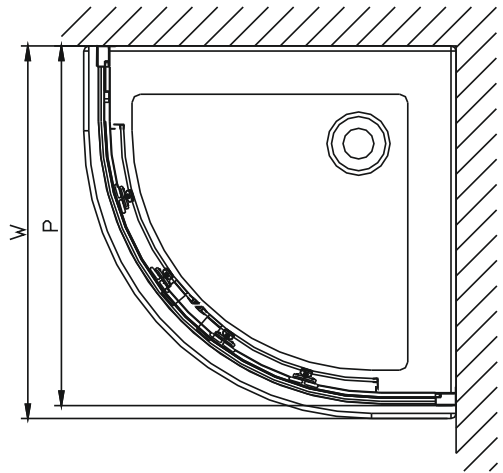
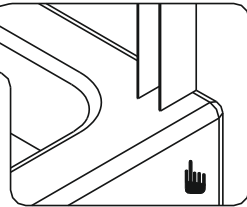
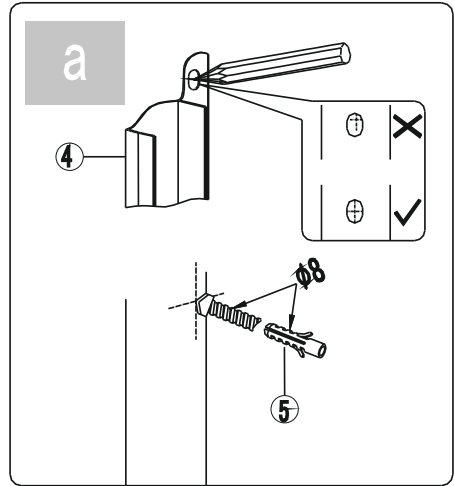
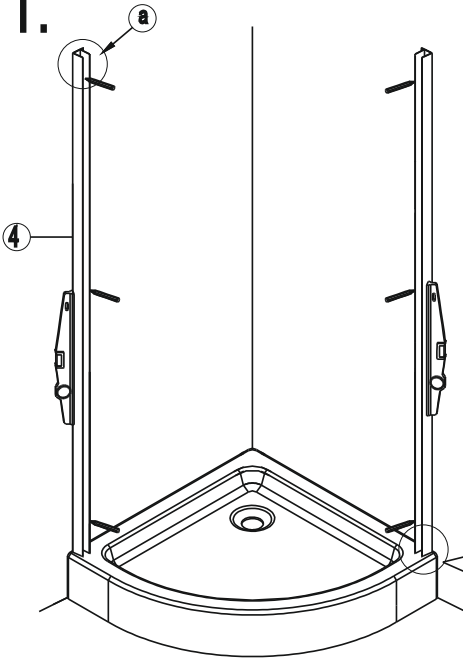


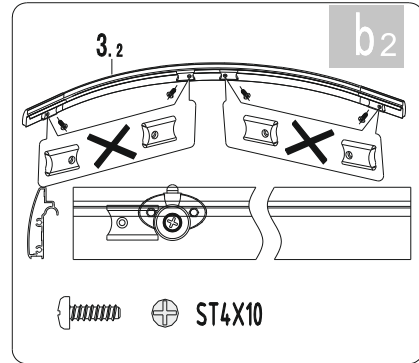
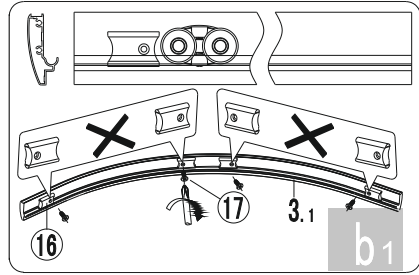
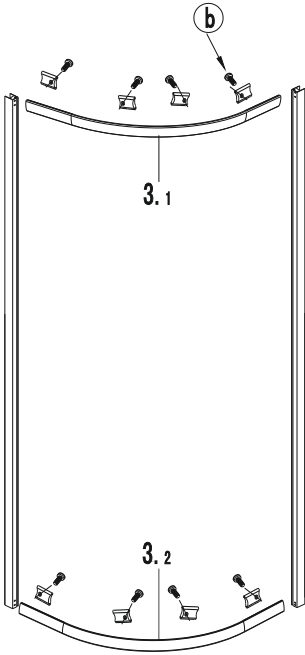
NO.	Designation	Pieces	NO.	Designation	Pieces
3.1		X1	12		X2
1		X2	A.1		X4
2		X2	A.2		X4
3.2	X1	A.3	X2		
		A.4	X2		
4		X2	B.1		X2
5		X7	B.2		X2
6		X7	C.1		X2
7		X11	C.2		X4
8		X2	C.3		X4
9		X9	C.4		X8
10		X4	C.5		X2
			C.6		X2
			D.1		X4
			D.2		X4
			D.3		X2
			D.4		X8
			D.5		X4
			D.6		X2
			No hand		
			14		X5
			15.1		X1
			15.2		X1
			16		X8
			17		X13
			18.1		X2
			18.2		X2
11		X8 X16 X8 X4			
		X4			
		X8 X8 X8 X8 X4			
		X4			

1.

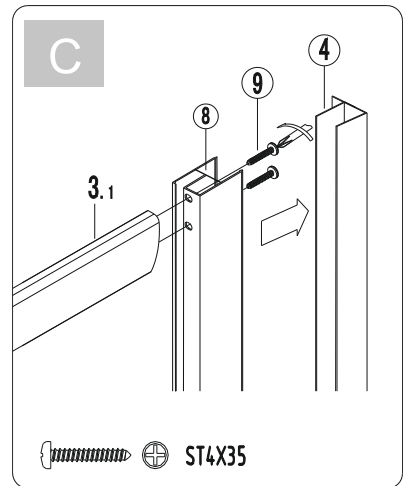
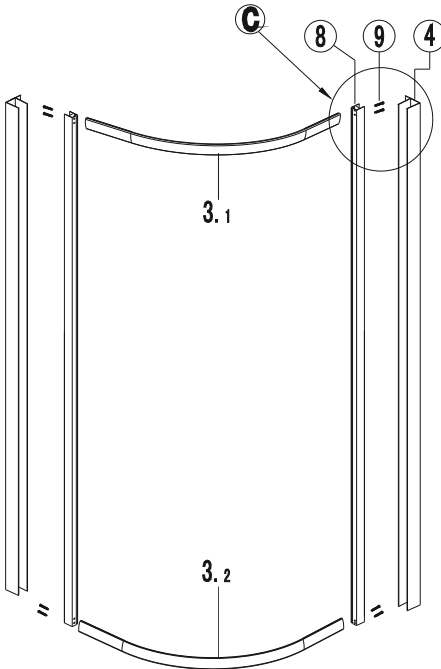


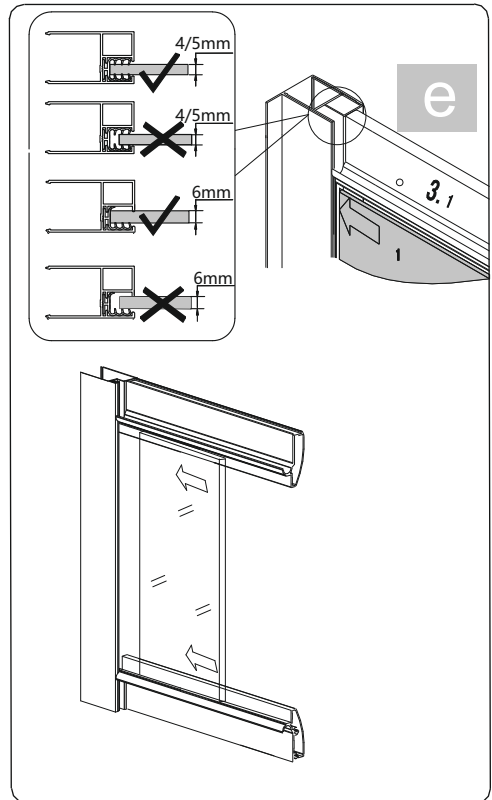
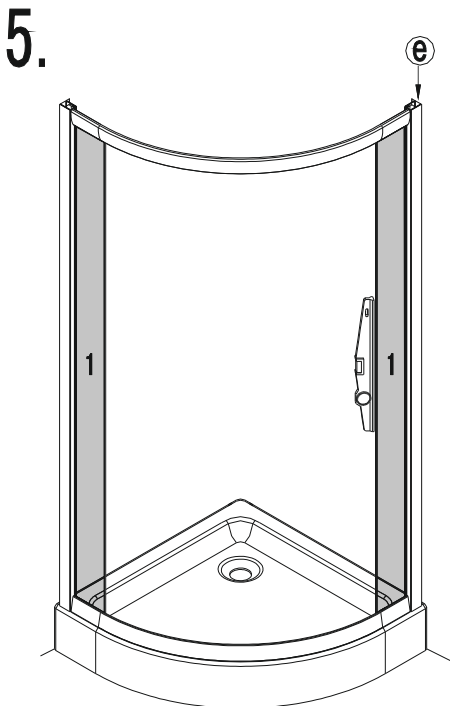
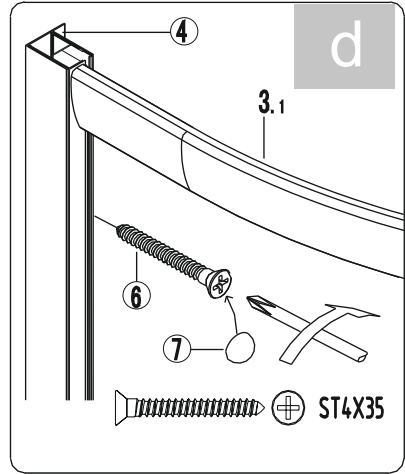
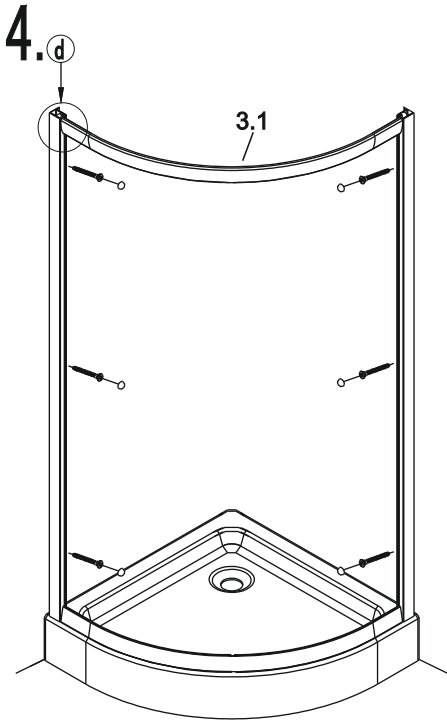
	P	W
765	765-790	800
865	865-890	900
965	965-990	1000
1165	1165-1190	1200

2.

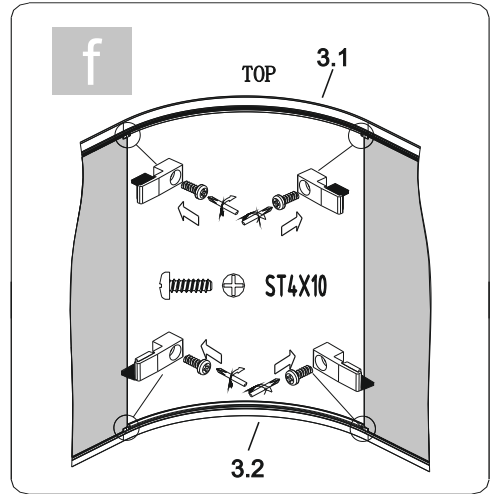
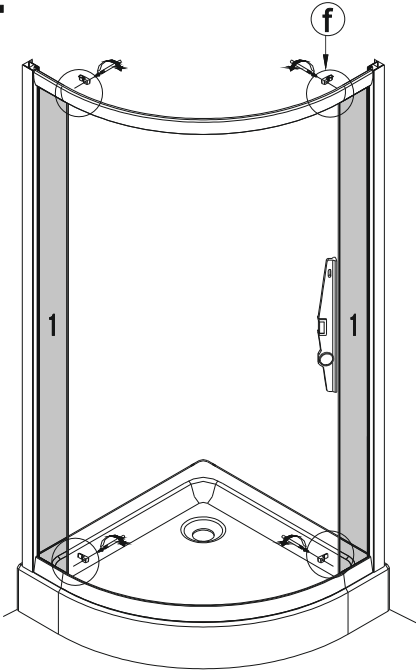


3.

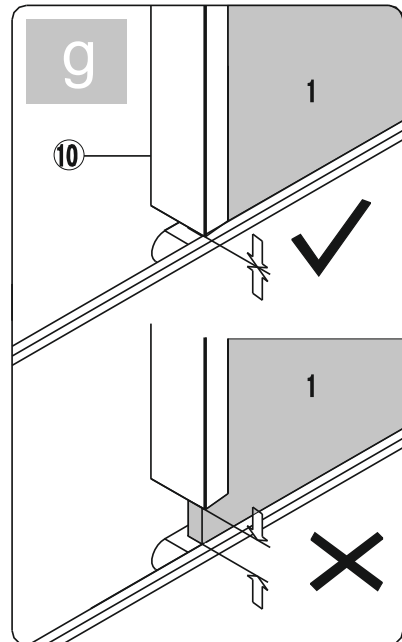
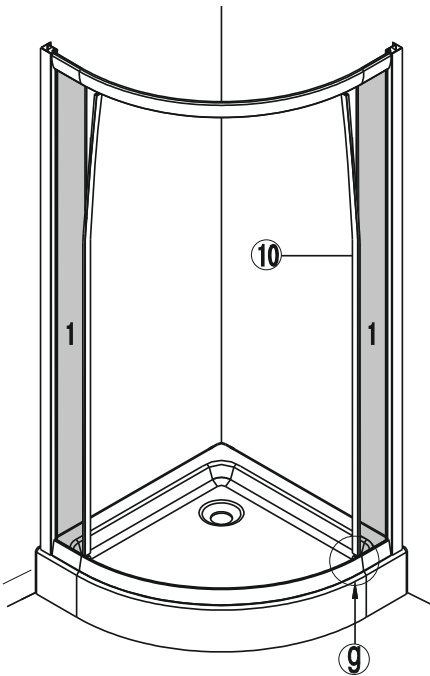




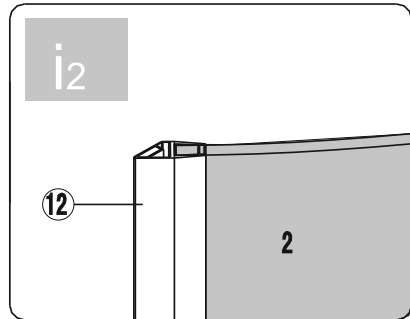
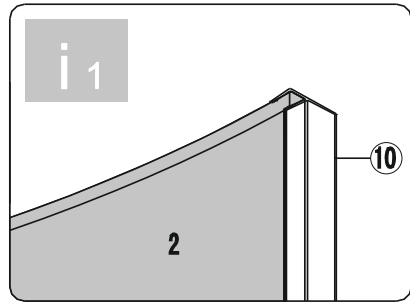
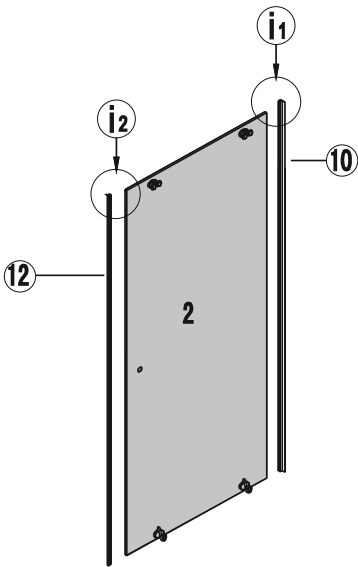
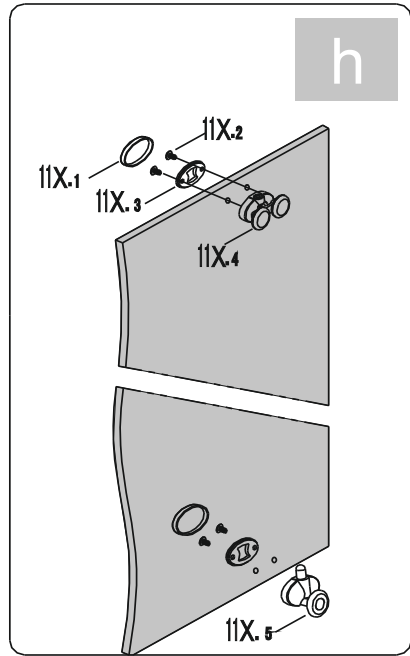
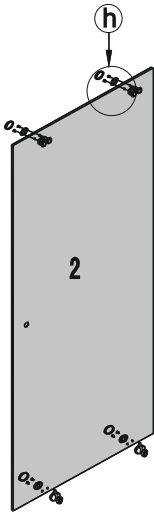
6.



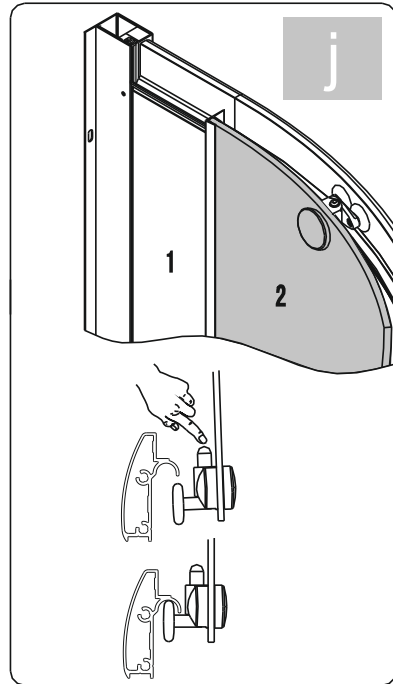
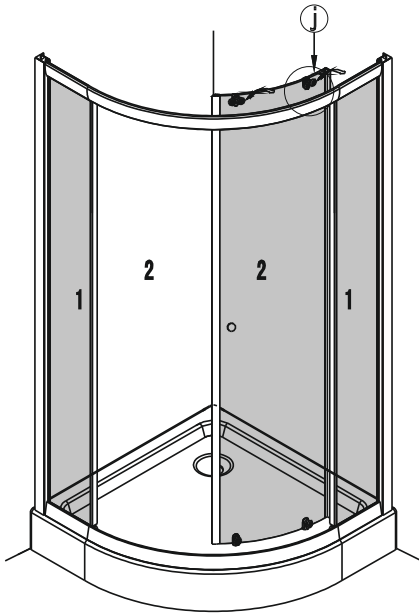
7.



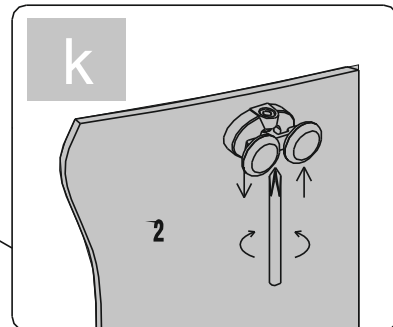
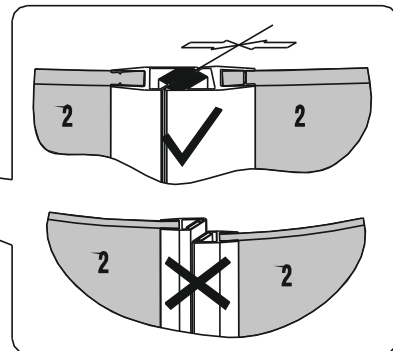
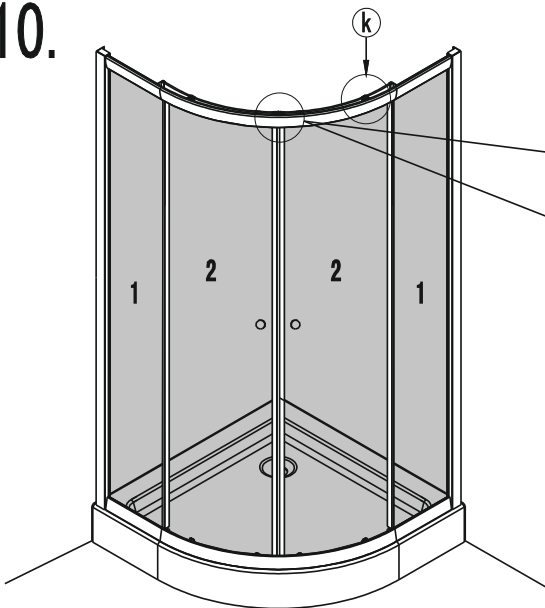
8.



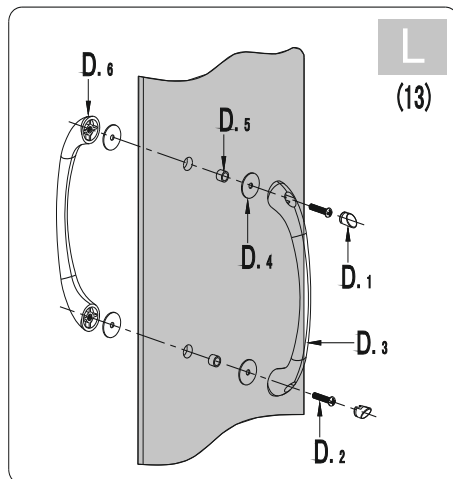
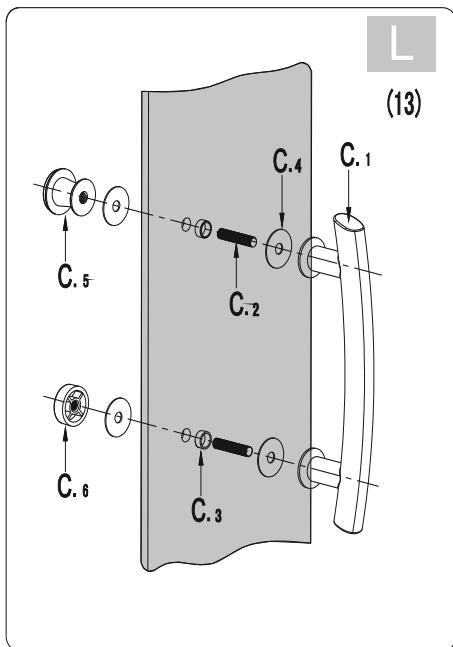
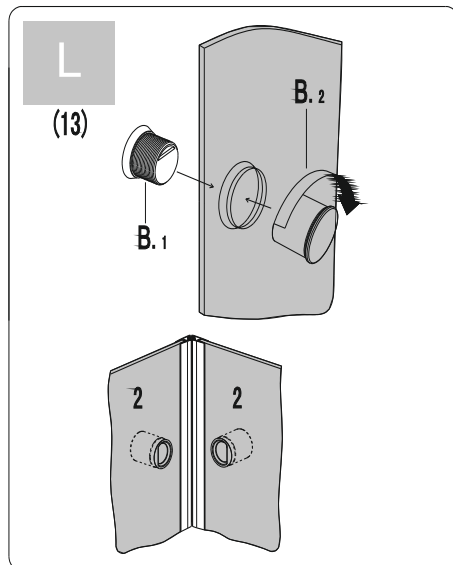
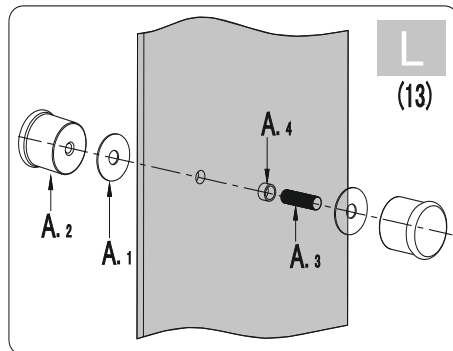
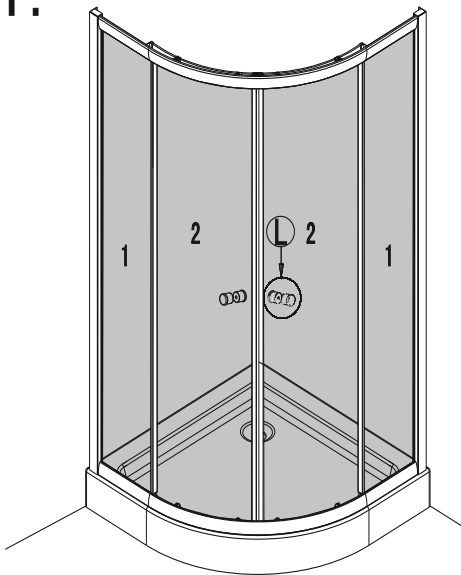
9.



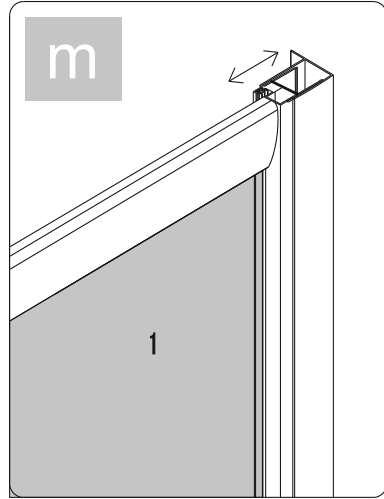
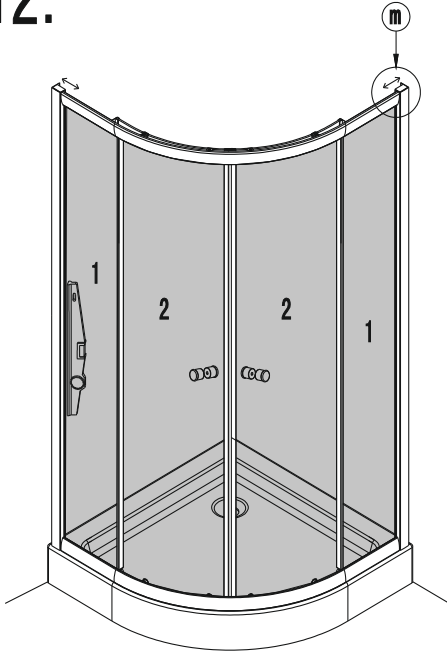
10.



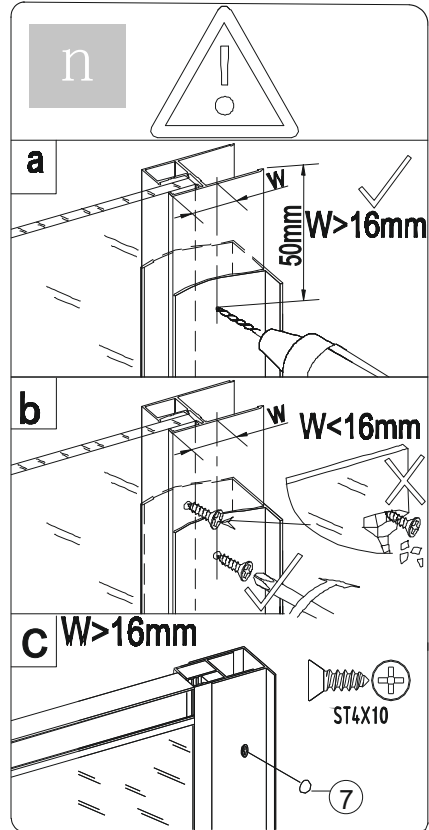
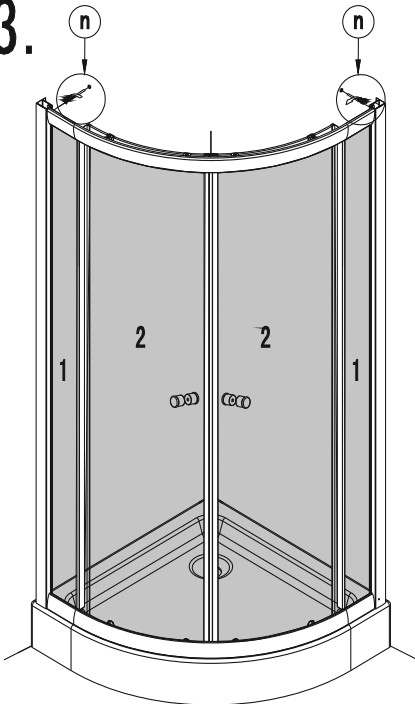
11.



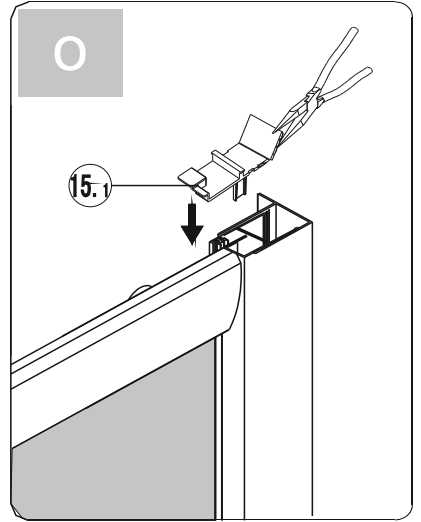
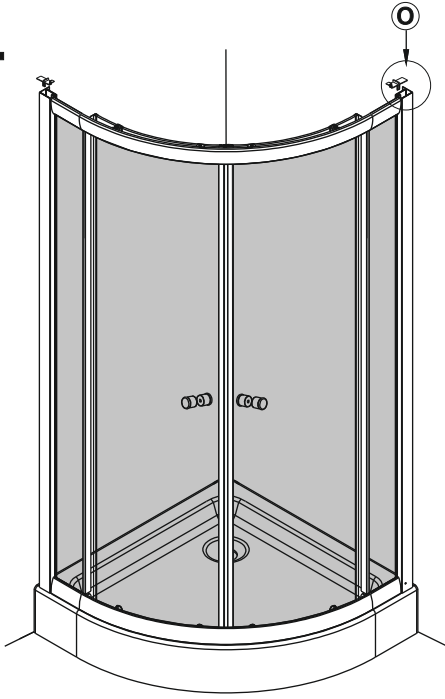
12.



13.



14.



15.

