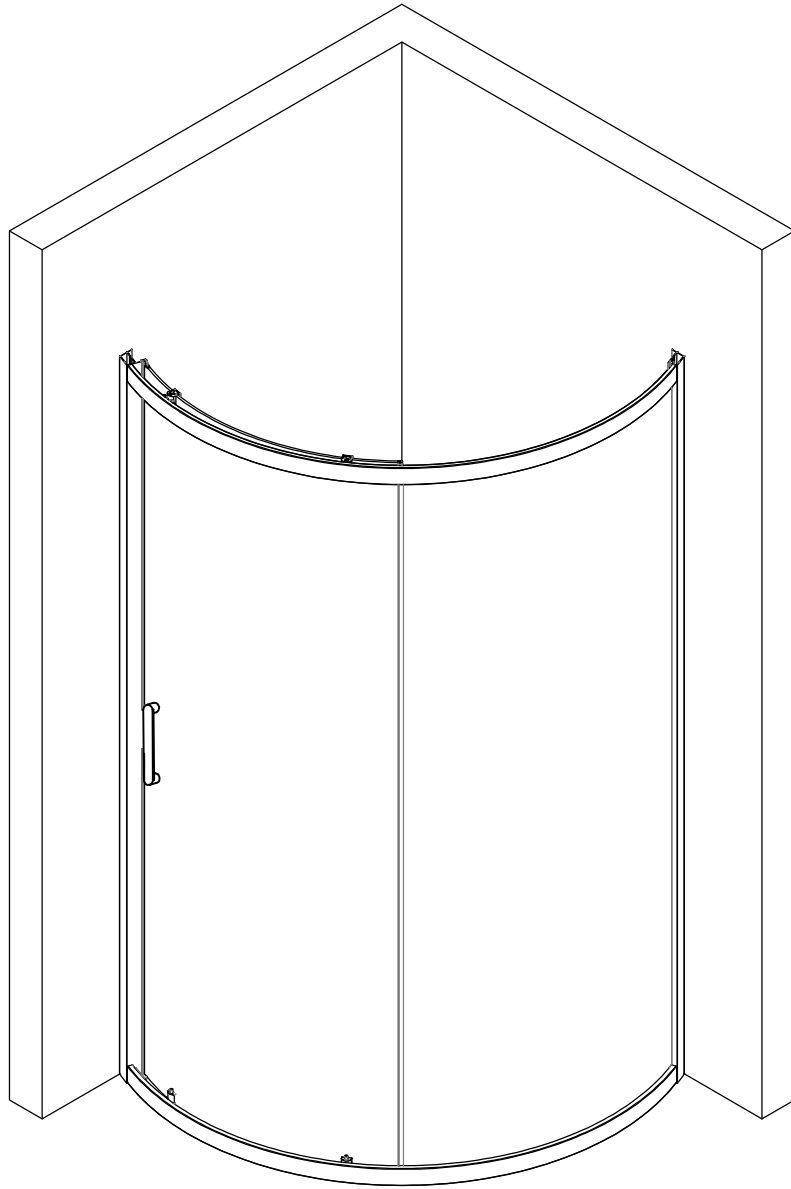
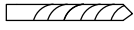
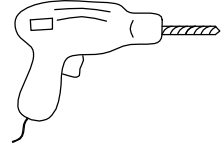
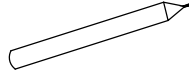
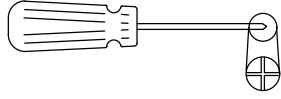
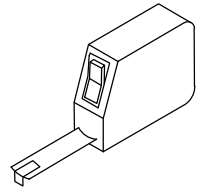
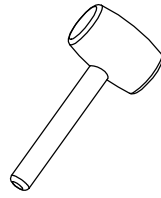
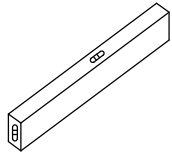
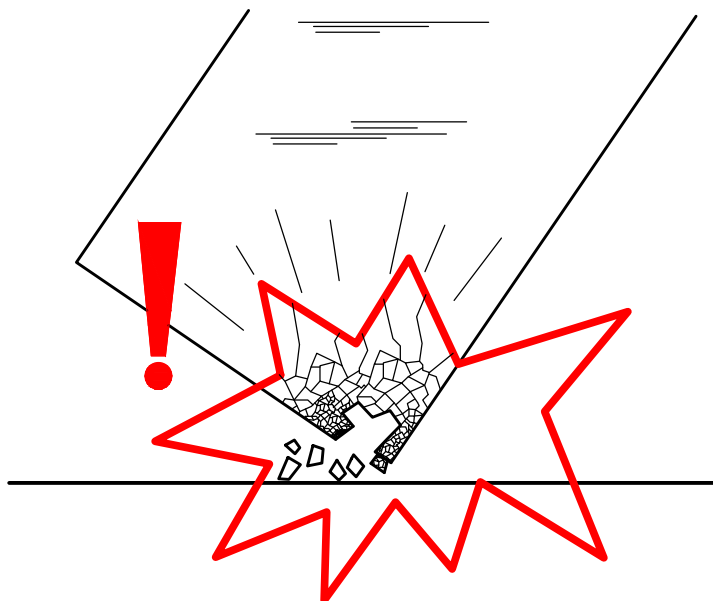
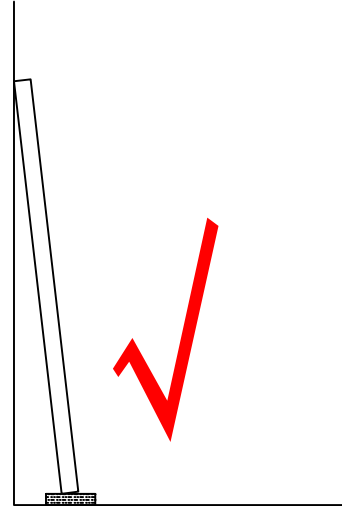
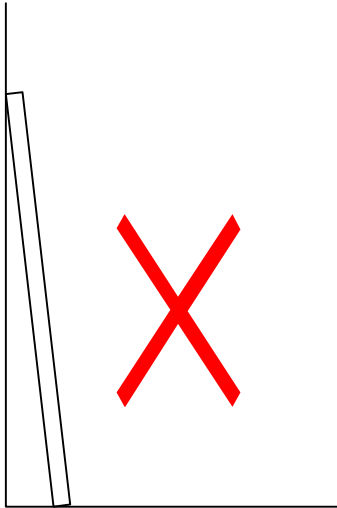
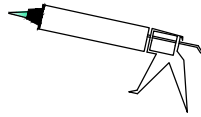



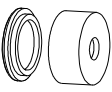

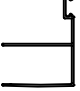
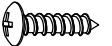
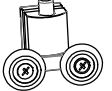
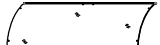
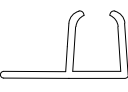
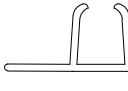
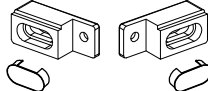


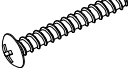
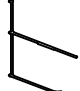
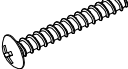
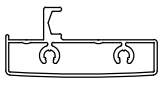
# RGW-2826


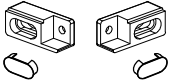



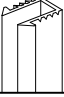

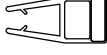
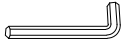


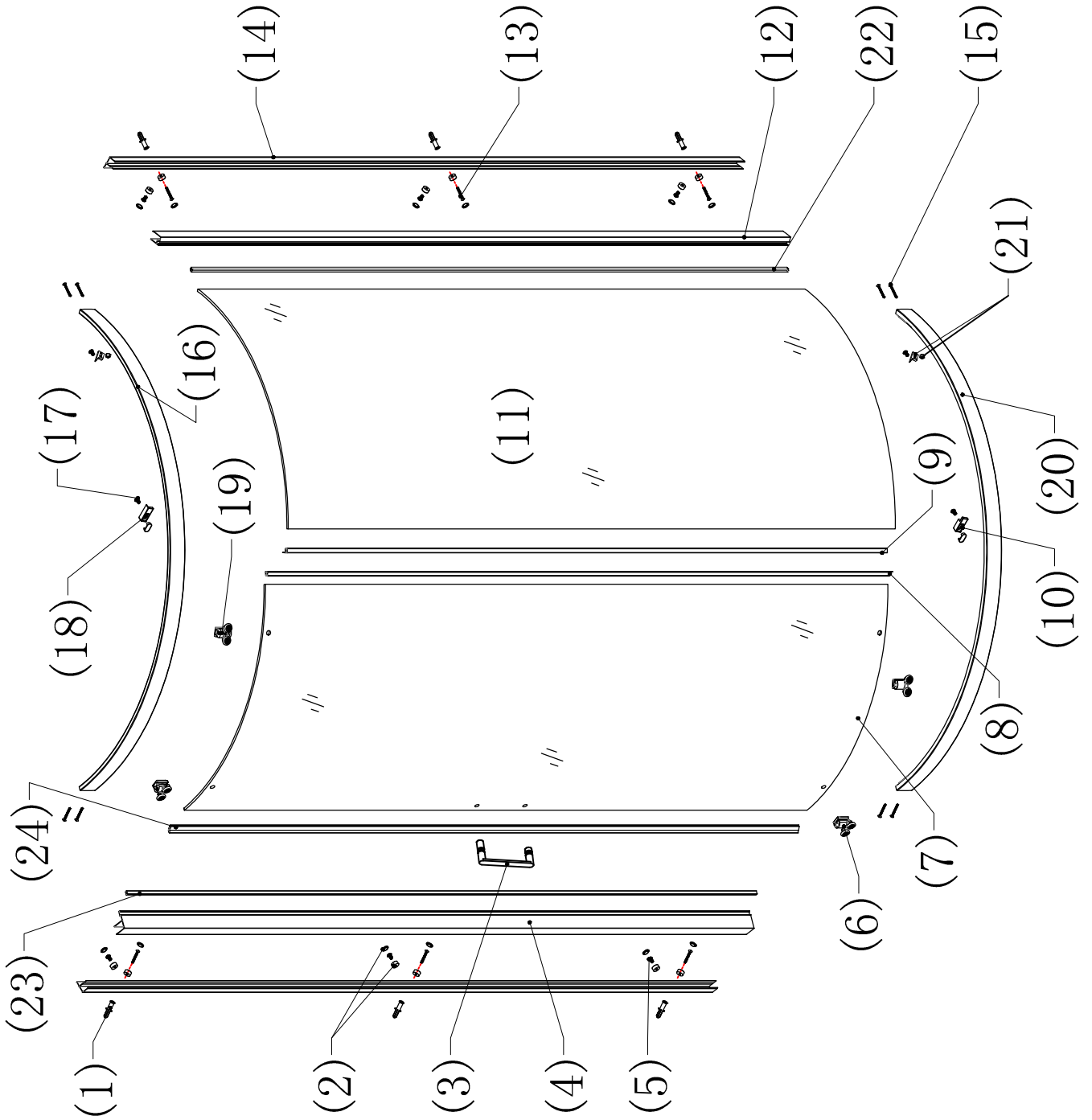


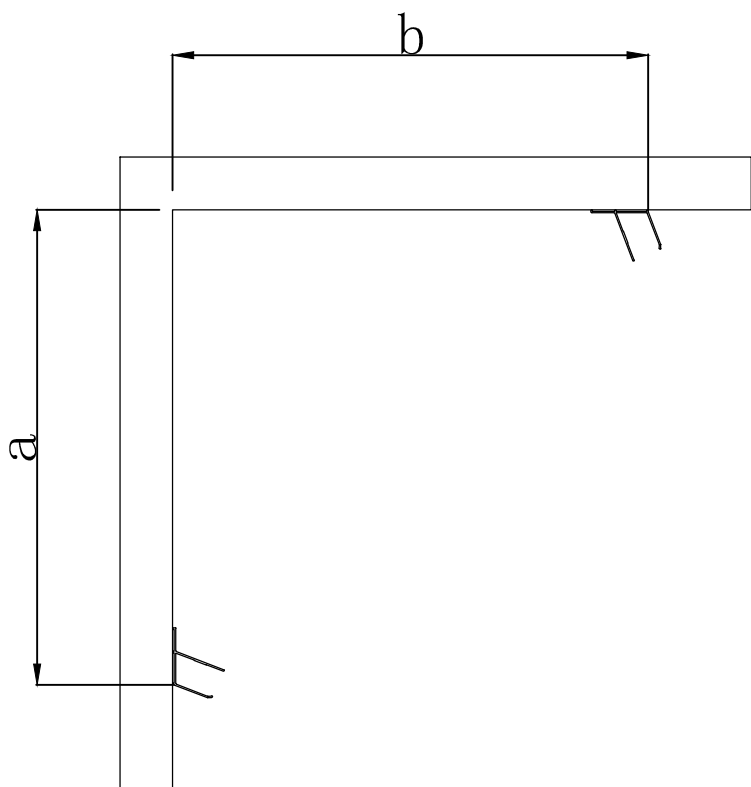
Ø6



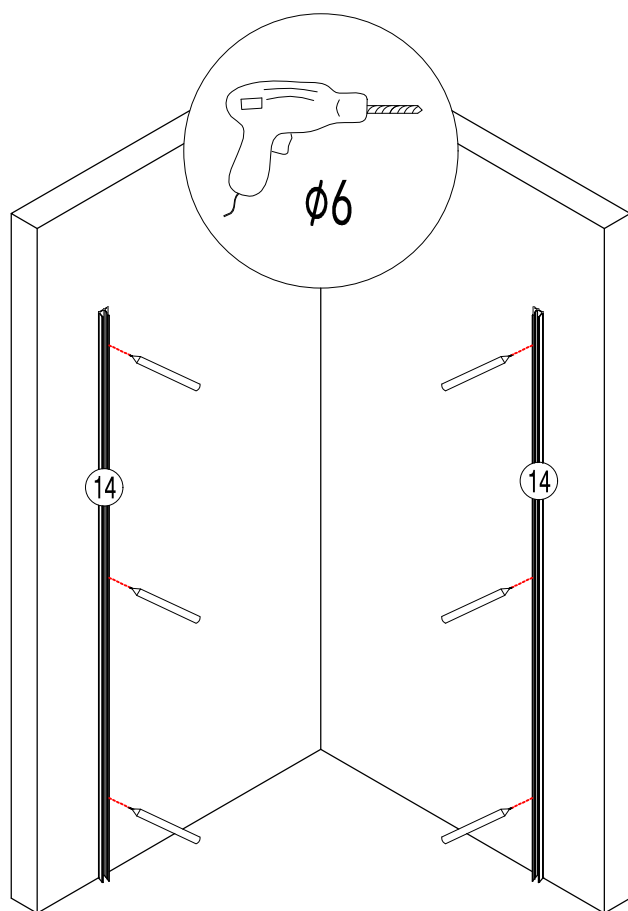
serial number	graphical	Parameter	quantity	remarks
1		$\phi 6$	6 PCS	
2			12 PCS	
3			1 PCS	
4			1 PCS	
5		ST3. 5X9. 5	8 PCS	
6			2 PCS	
7			1 PCS	
8			1 PCS	
9			1 PCS	
10			1 PCS	
11			1 PCS	
12			1 PCS	
13		ST3. 9X35	6 PCS	
14			2 PCS	
15		ST3. 5X35	8 PCS	
16		Up	1 PCS	

serial number	graphical	Parameter	quantity	remarks
17		ST3.5X13	2 PCS	
18			1 PCS	
19			2 PCS	
20		Down	1 PCS	
21			1 PCS	
22			1 PCS	
23			1 PCS	
24			1 PCS	
25		M4	1 PCS	

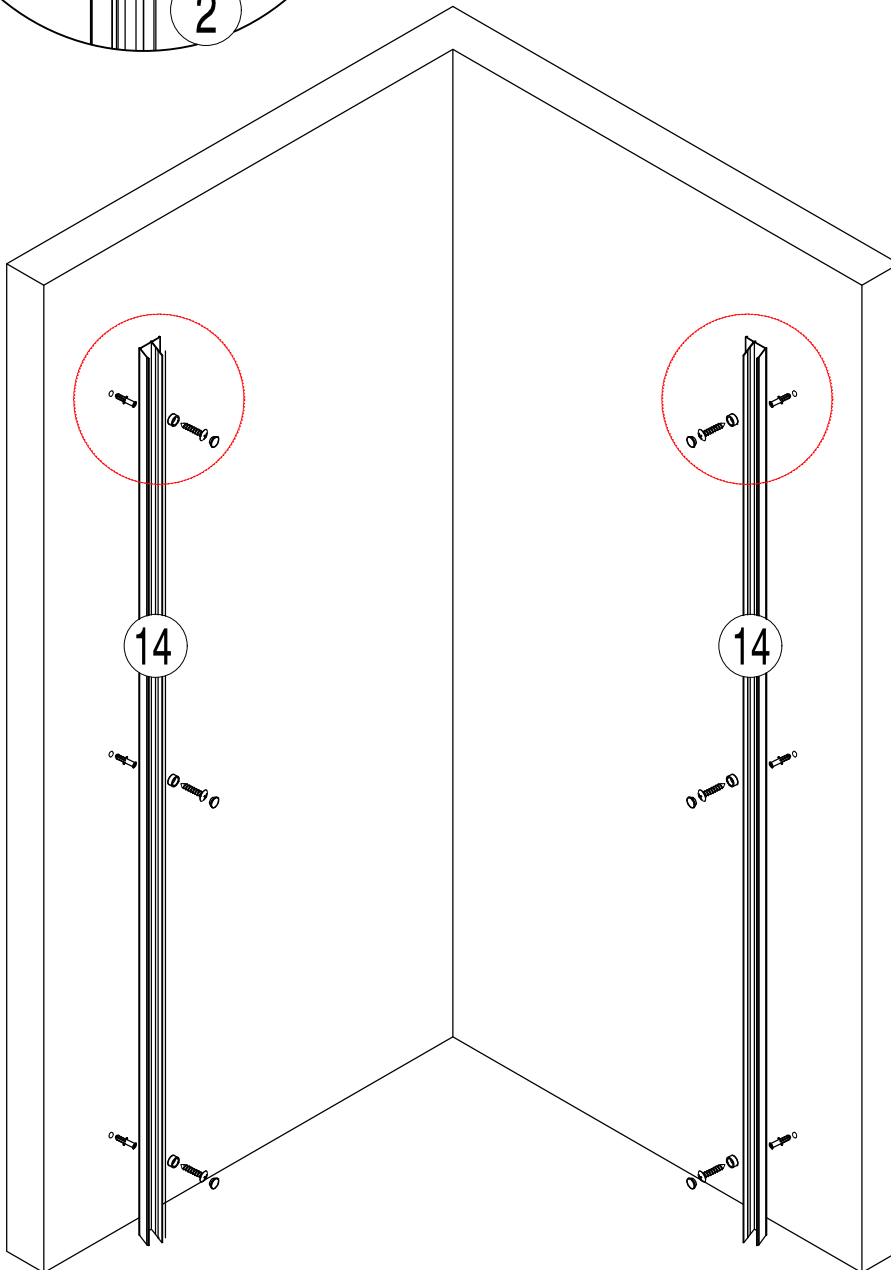
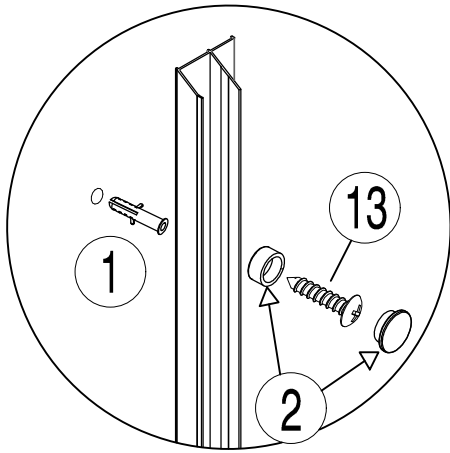


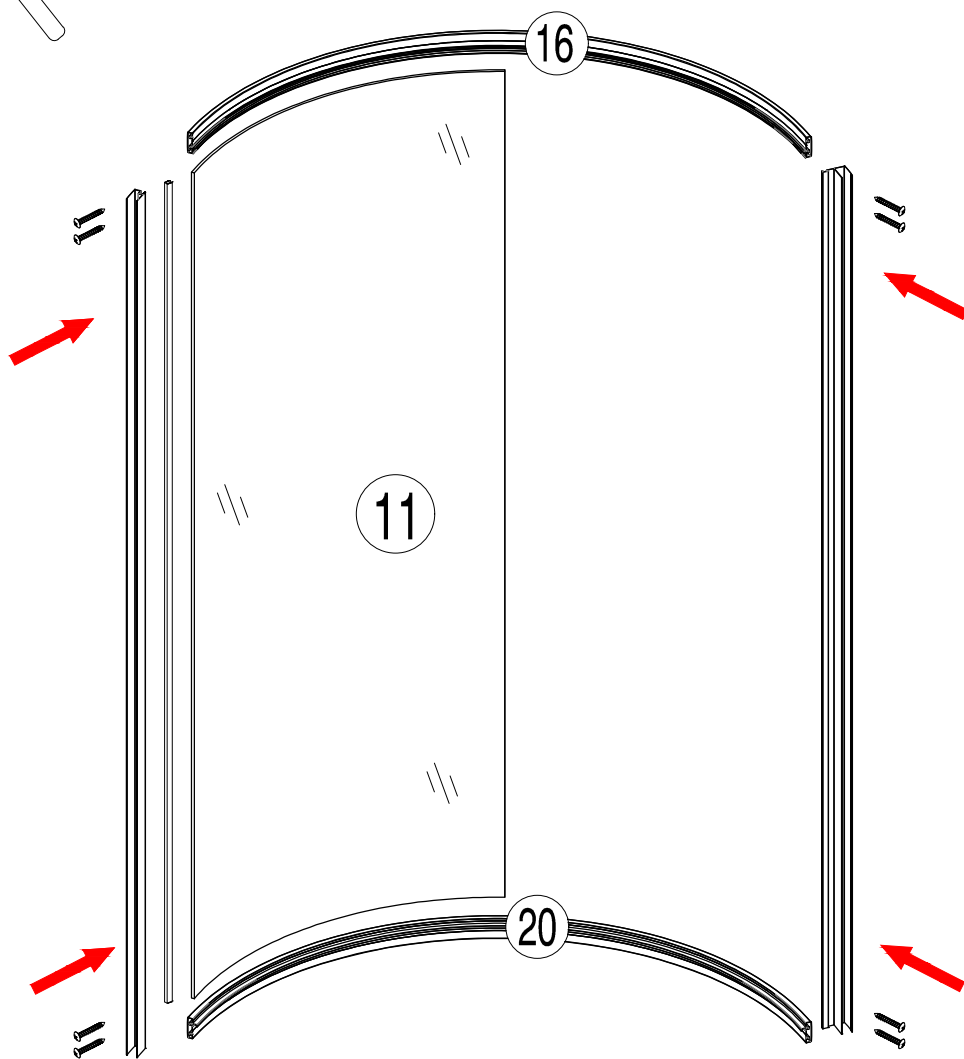
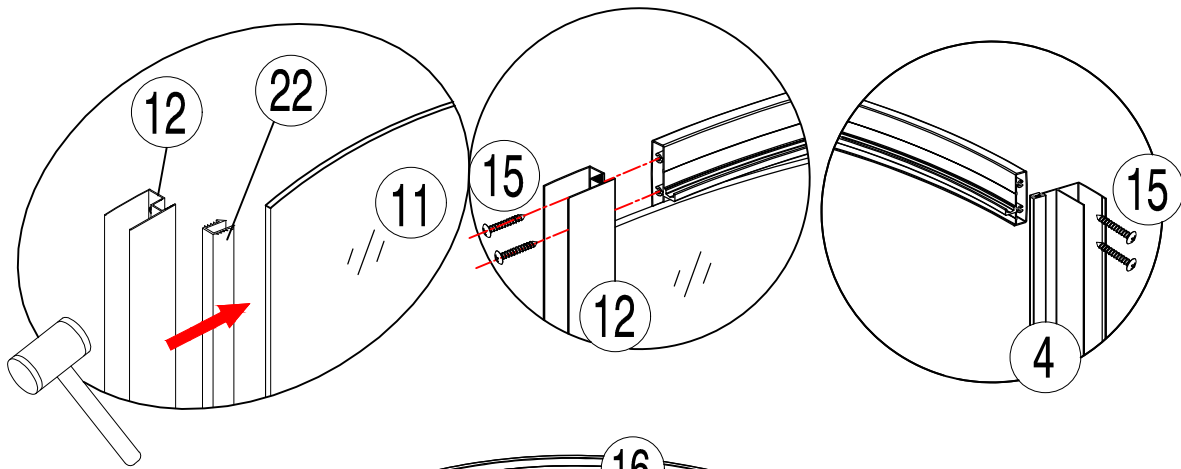


	a	b
800x800	784-789	784-789

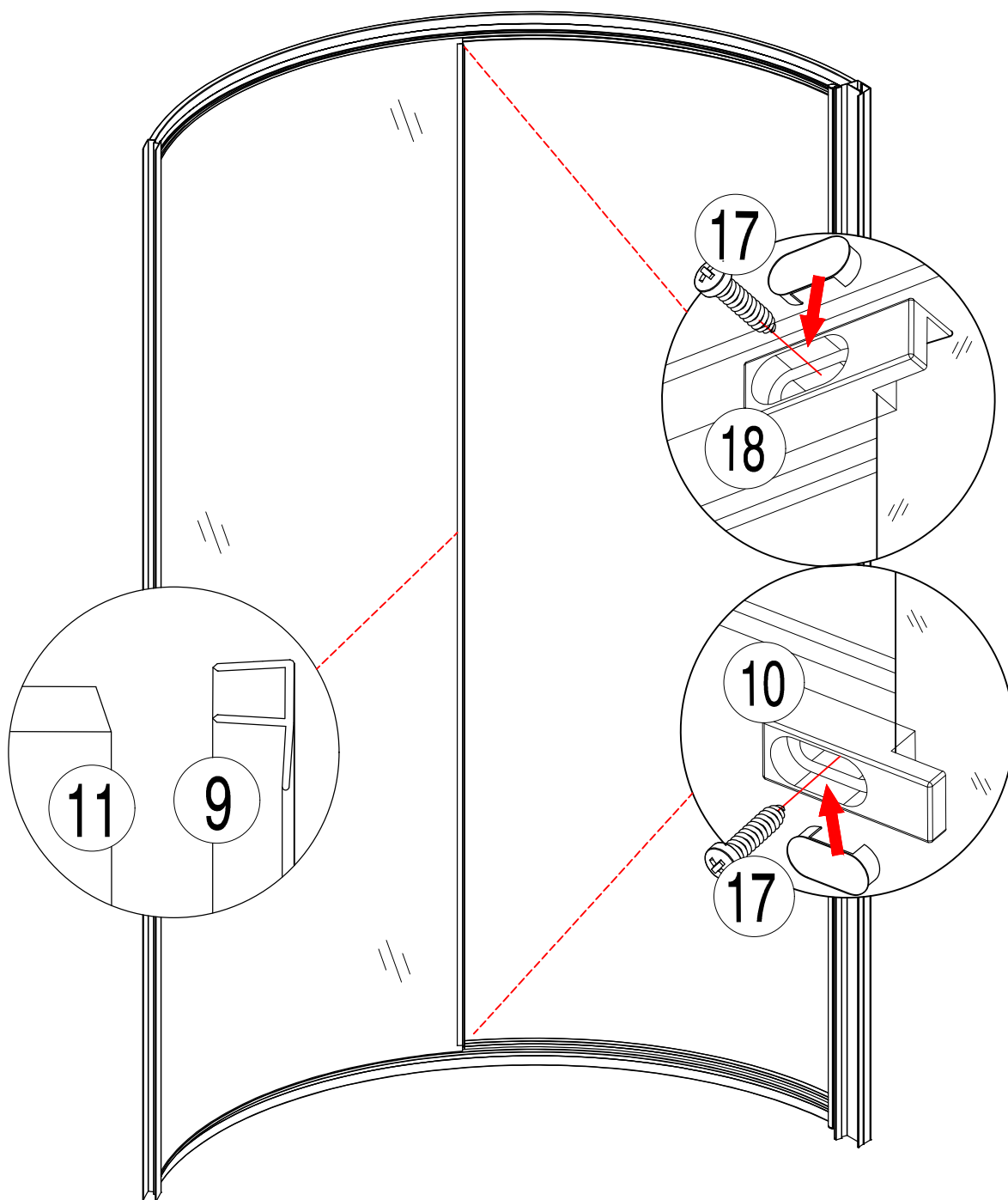


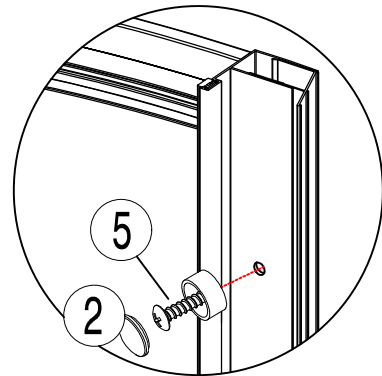
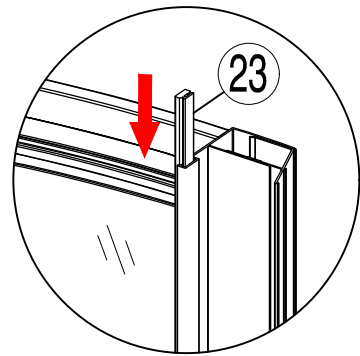
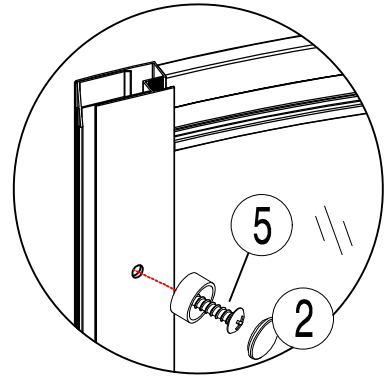
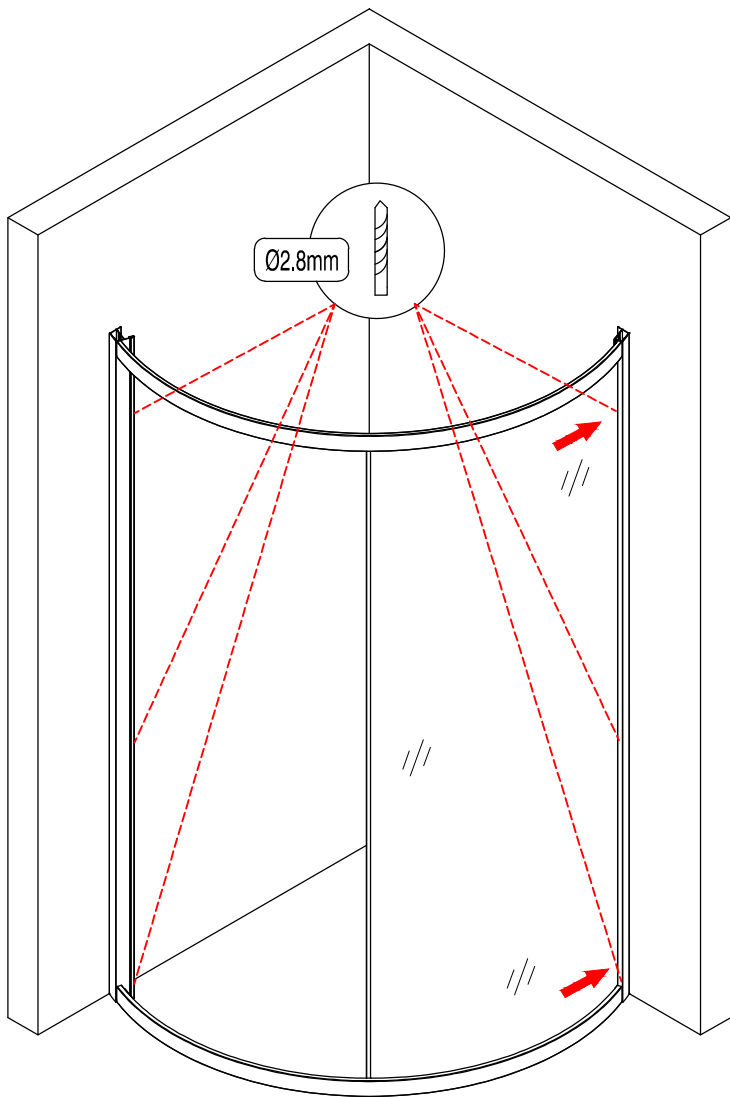
< 1 >



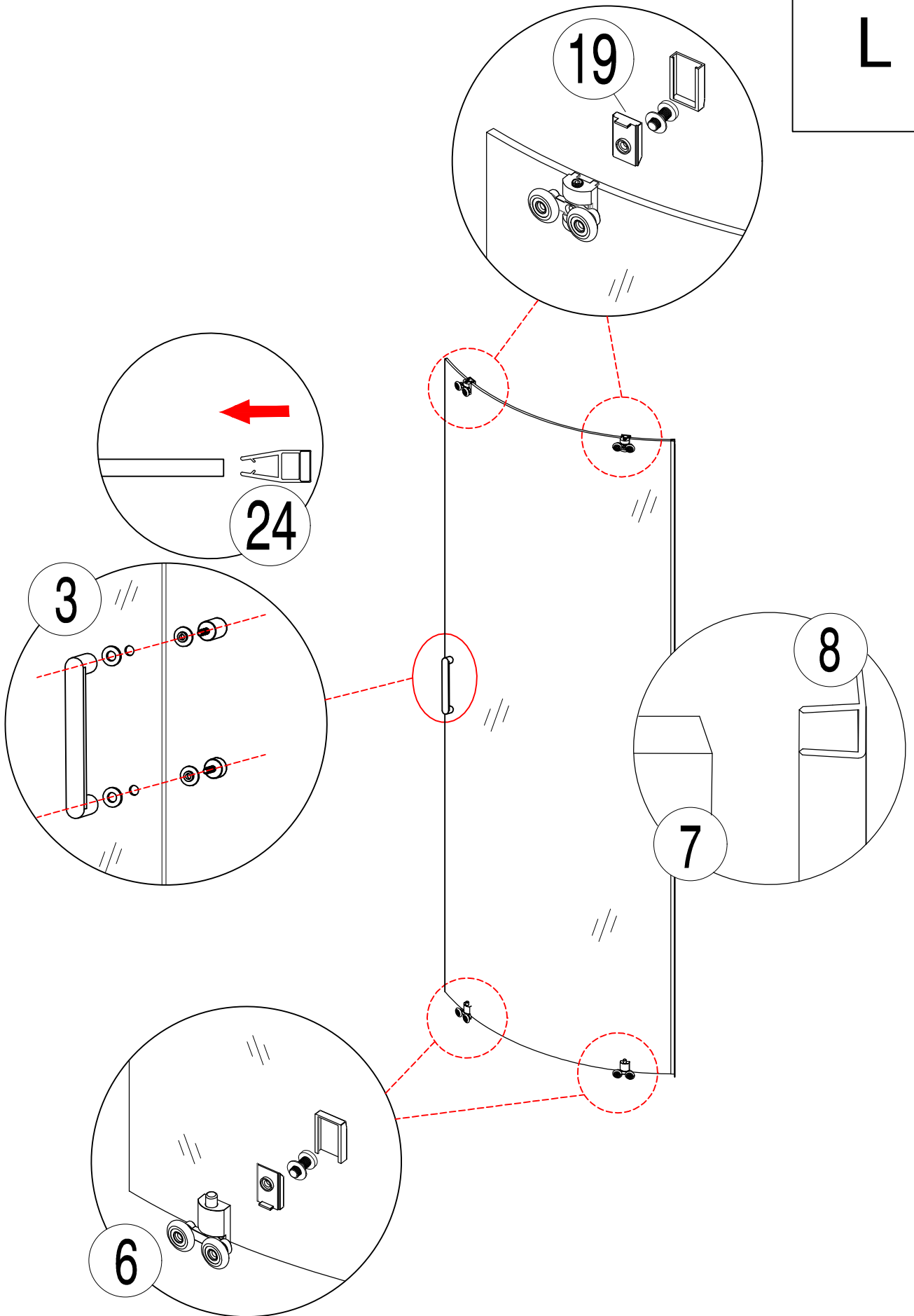




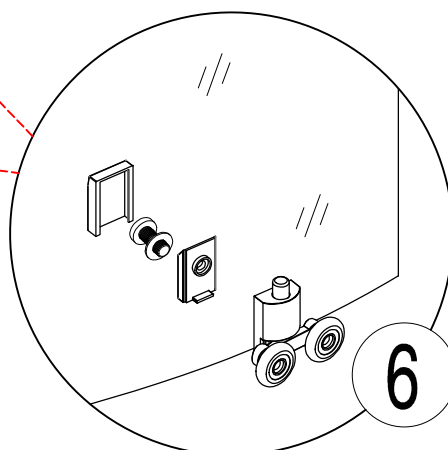
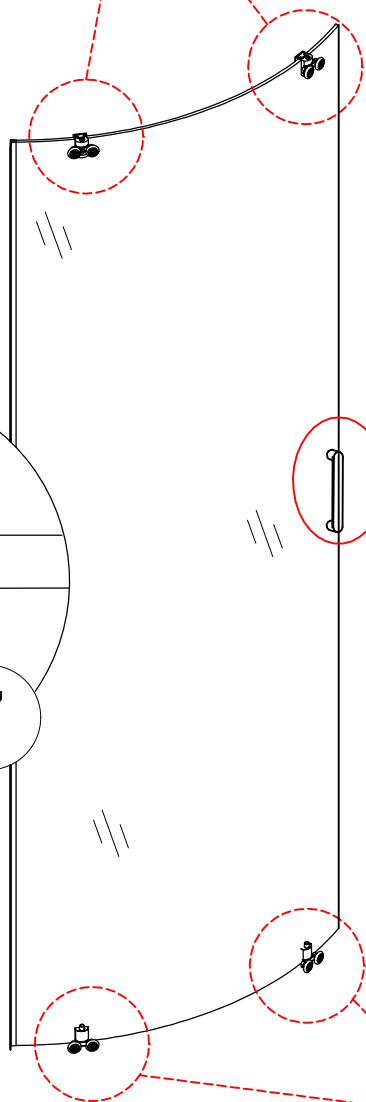
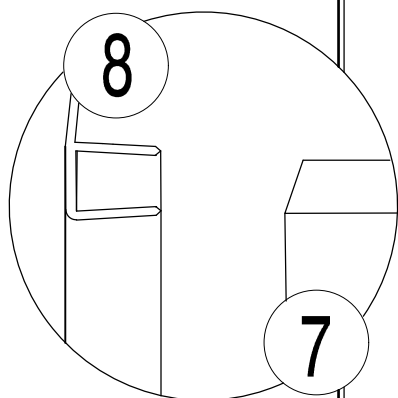
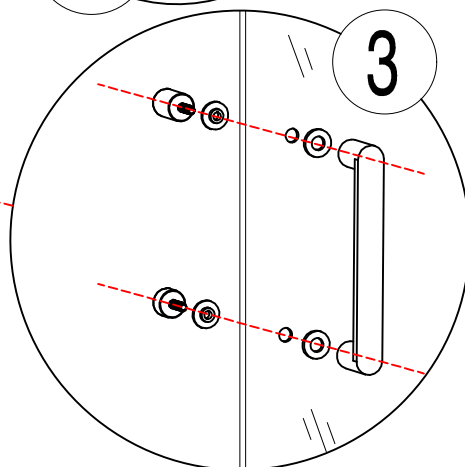
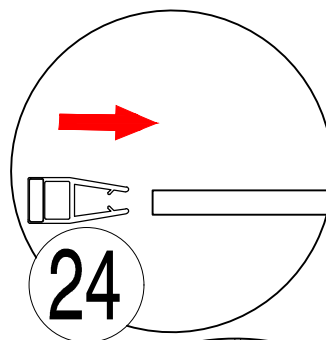
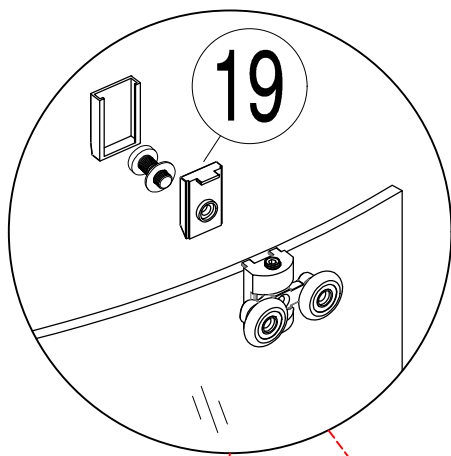




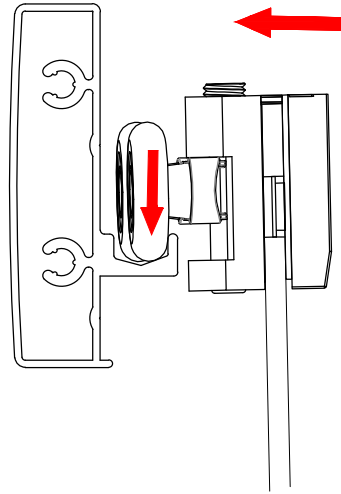
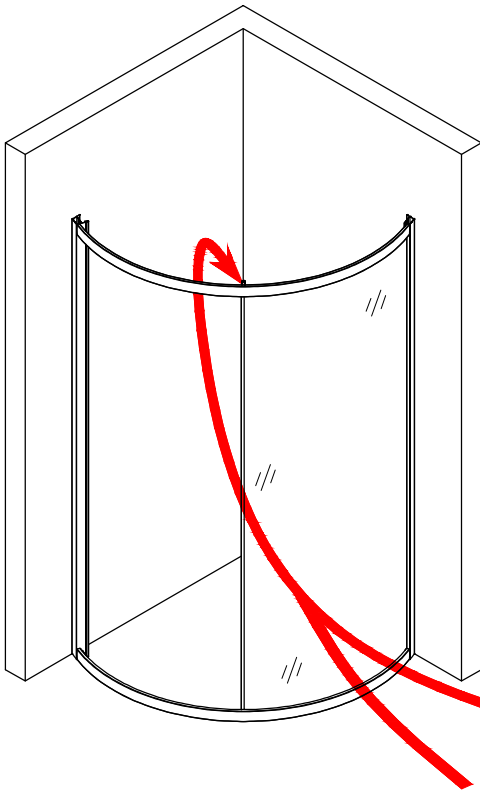
L



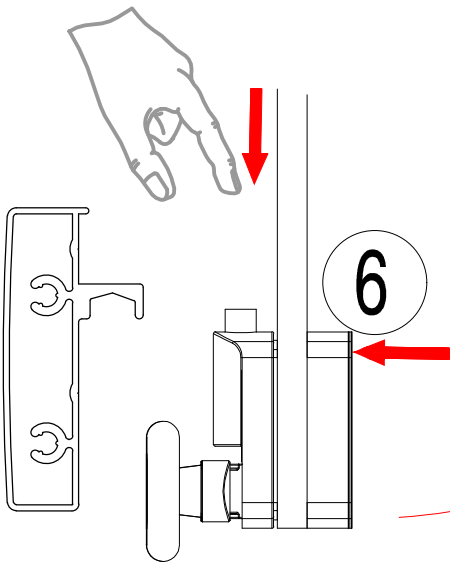
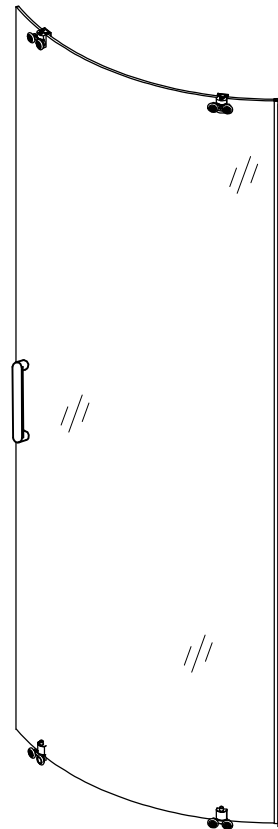
R



L

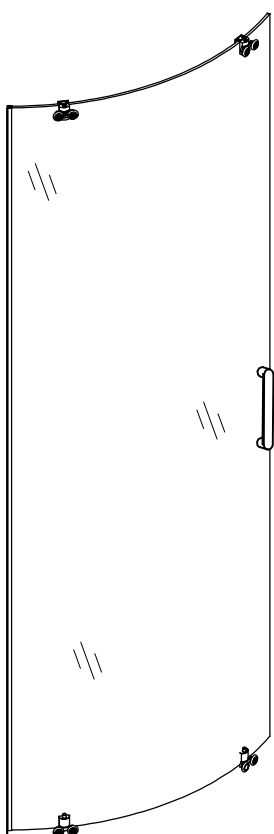
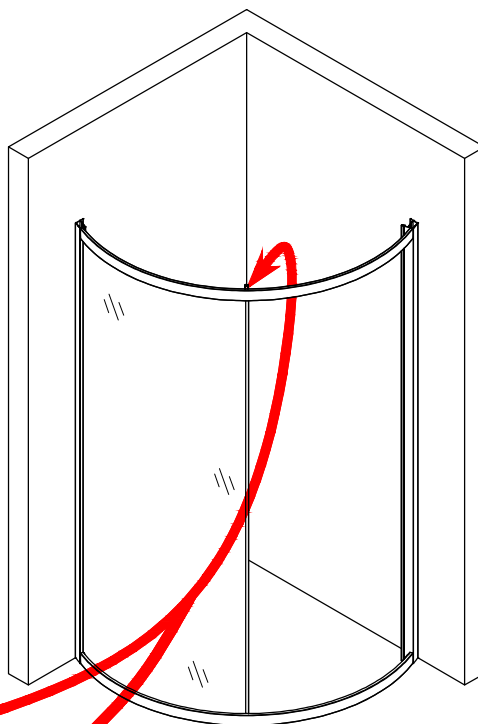
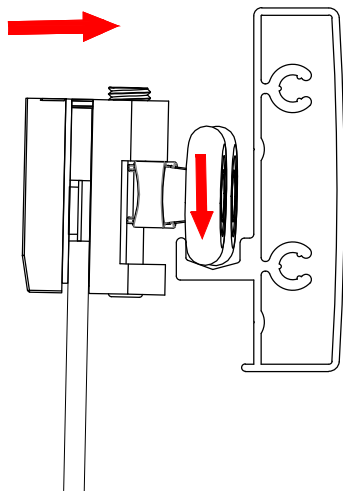


19

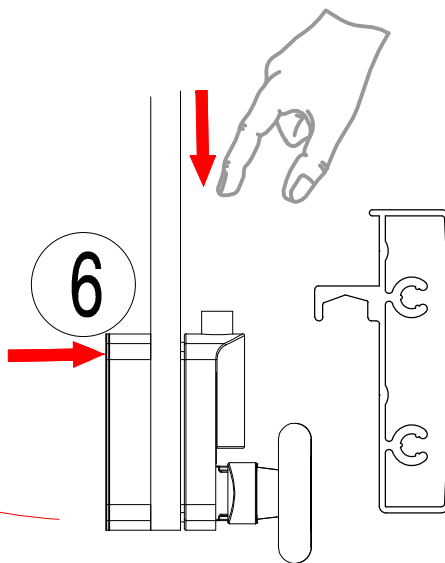


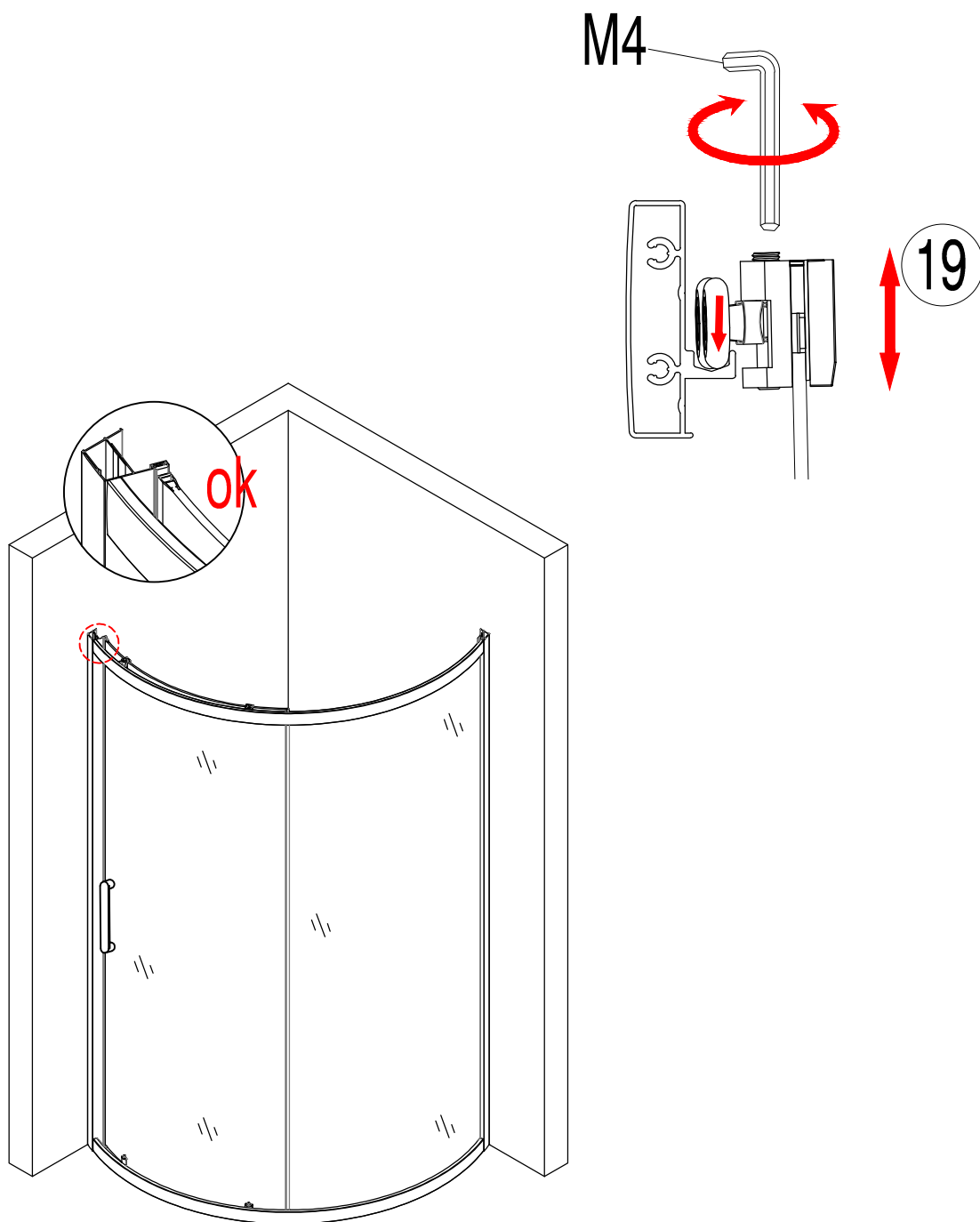
R

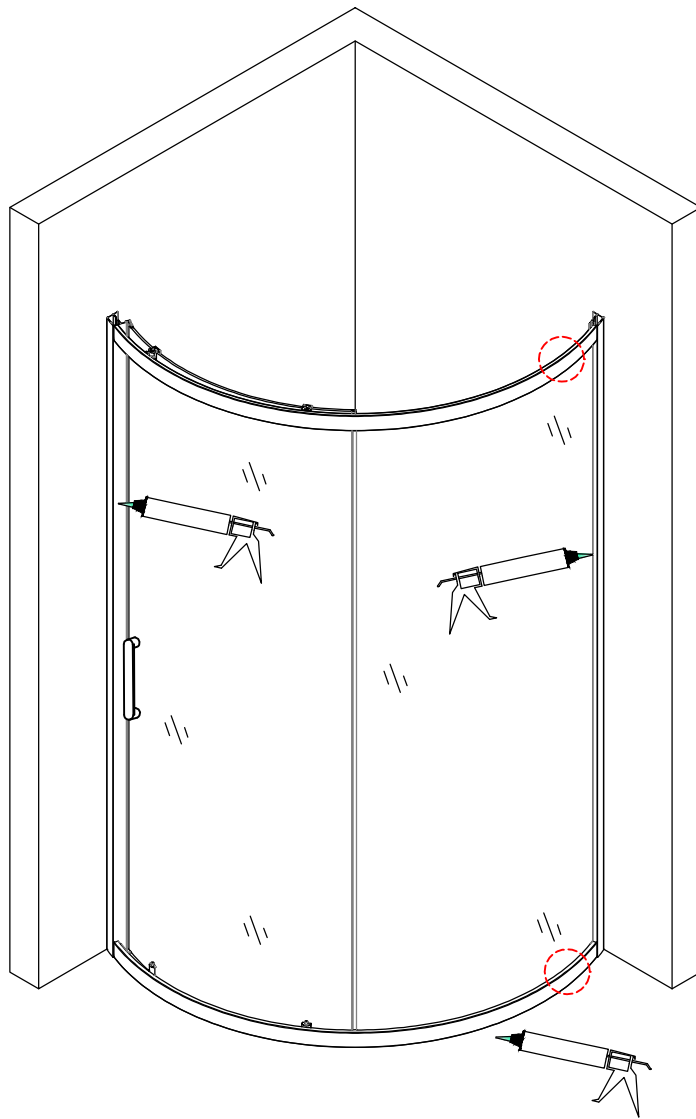
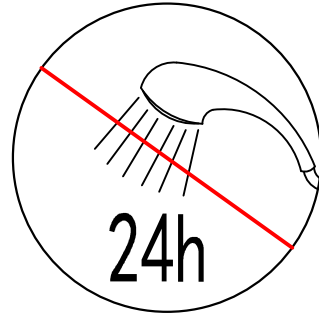
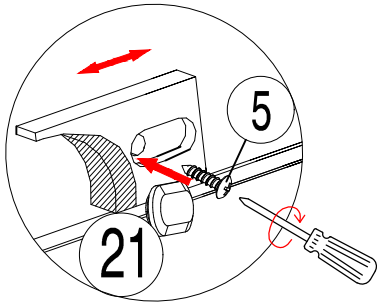
19



6







<11>