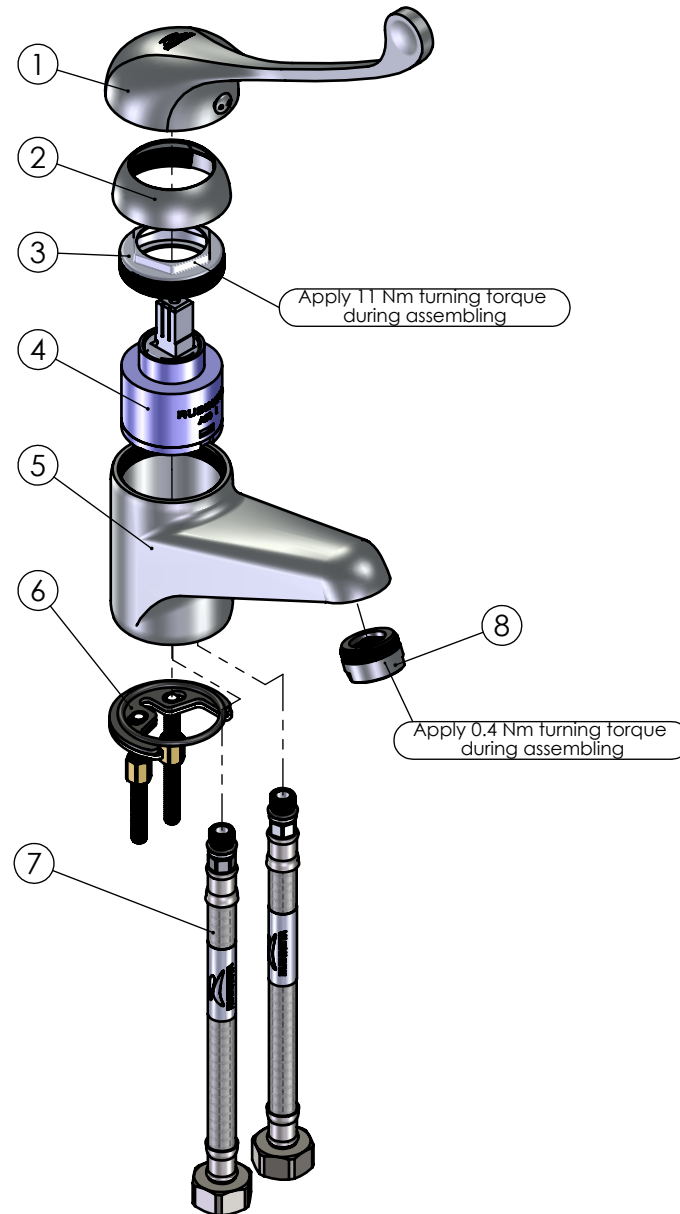




RUBINETA

Product name: **Faucet P-18 MEDIC**
Product Code: **P80005**



| ITEM NO. | PART CODE | NAME | QUANTITY |
|----------|-----------|--|----------|
| 1 | 631015 | Cartridge handle Medic | 1 |
| 2 | 636202 | Cartridge cap 47mm | 1 |
| 3 | 636302 | Stainless steel cartridge nut M42x1.25 | 1 |
| 4 | 634005 | Cartridge 40 mm | 1 |
| 5 | 635051 | P-18 body | 1 |
| 6 | 636921 | Fixing set P-18 | 1 |
| 7 | 618040 | Faucet hose G1/2"-M10x1 400 mm | 2 |
| 8 | 636705 | Aerator M24x1 | 1 |