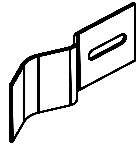


# IP00004.1 Dorado - Panel connection

ZA110601010028



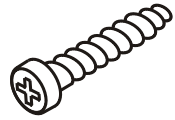
2x

130805085

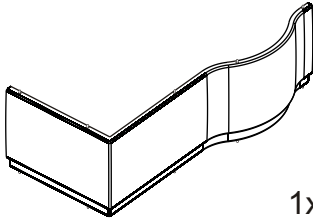


2x (Ø8mm)

130601010

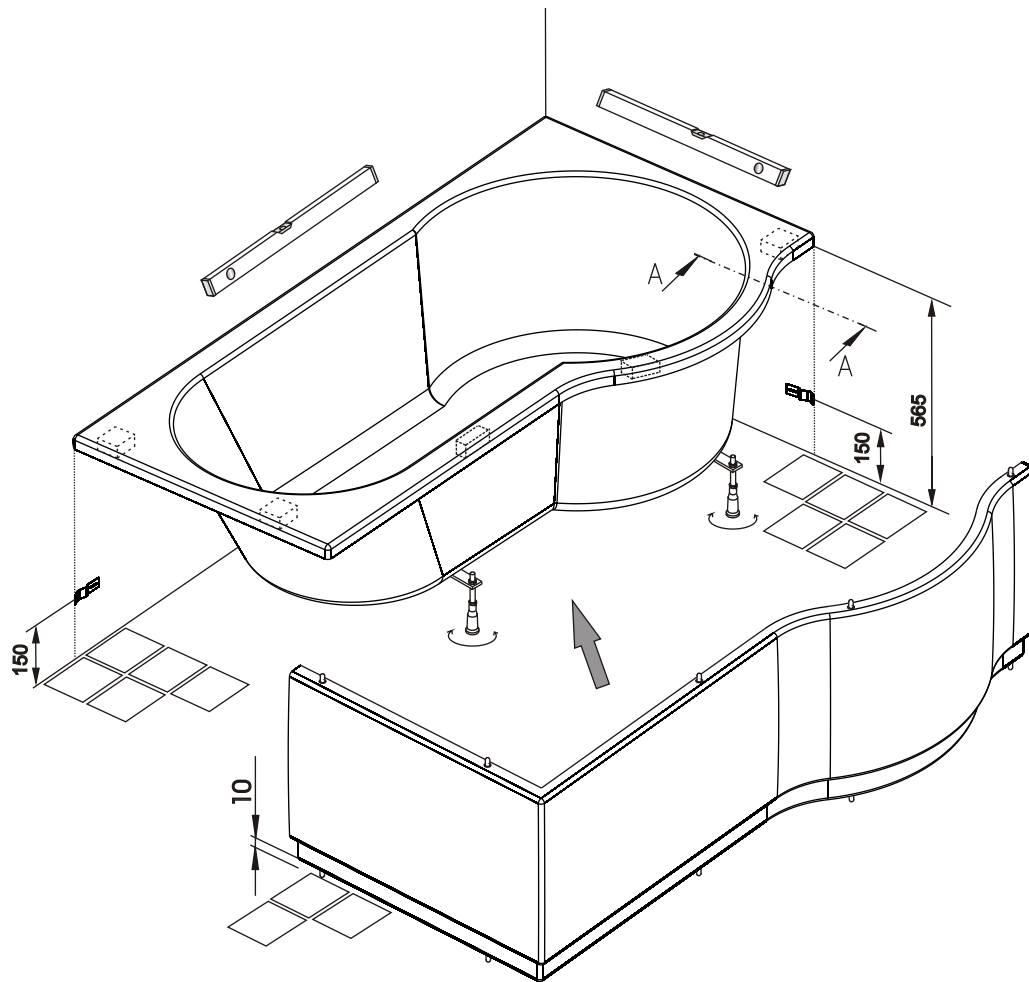
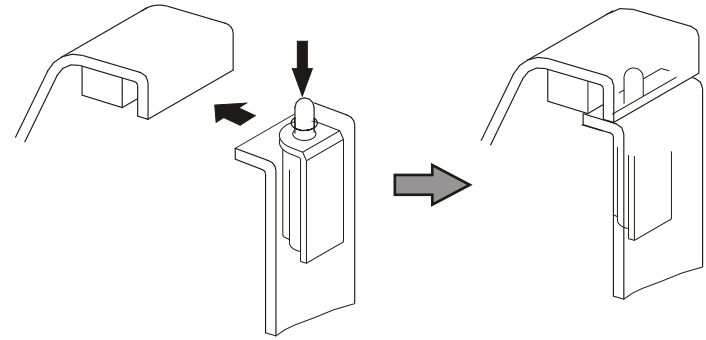


2x (3.9x32mm)



1x

Detail A - A



Detail A - A

